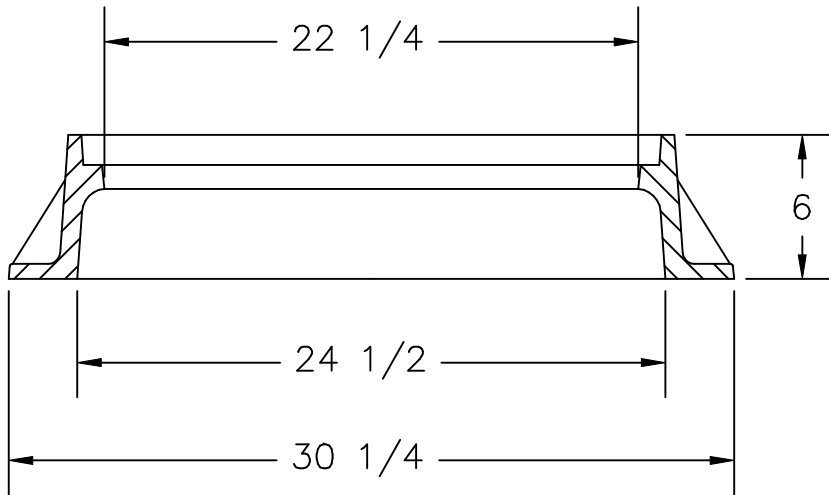
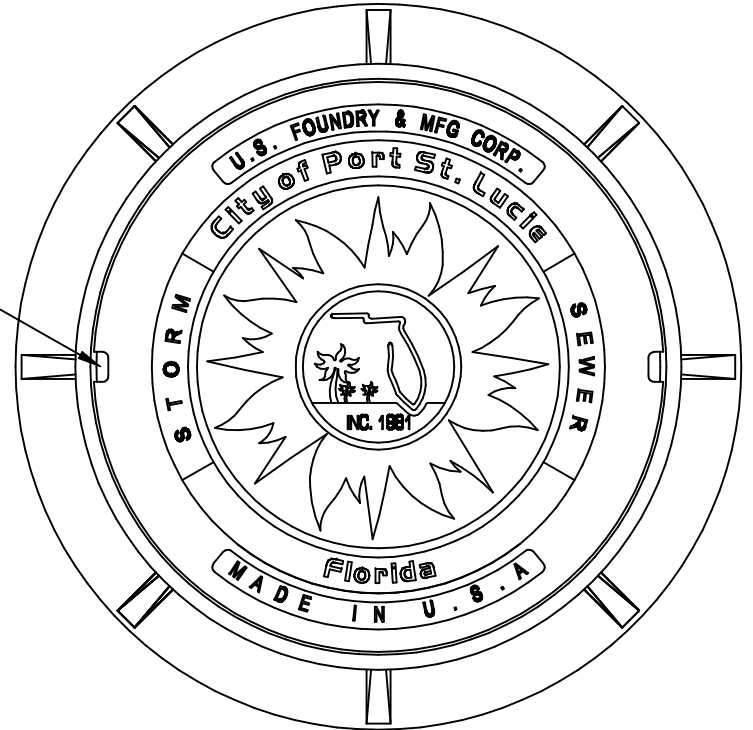


(2)- NON PENETRATING PICKHOLES



 **U.S. FOUNDRY & MFG. CORP.**
MEDLEY, FLORIDA

DESCRIPTION:

USF 170 RING & OL COVER

MATERIAL: ASTM-A48

GRAY IRON CLASS: 35B

FRAME WEIGHT: 150

COVER WEIGHT: 130

UNLESS OTHERWISE NOTED WEIGHT IS IN POUNDS AND APPROXIMATED

DWN. BY:
HJF

SCALE:
1/8"=1"

ITEM No:

DWG. No:

DWG DATE:
11-20-07

REV: DATE: DESCRIPTION:

REV BY: CHK. BY:

REV: