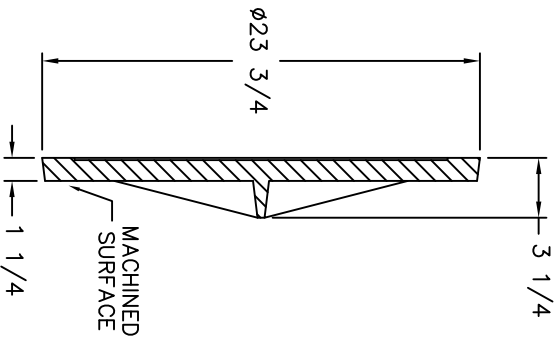
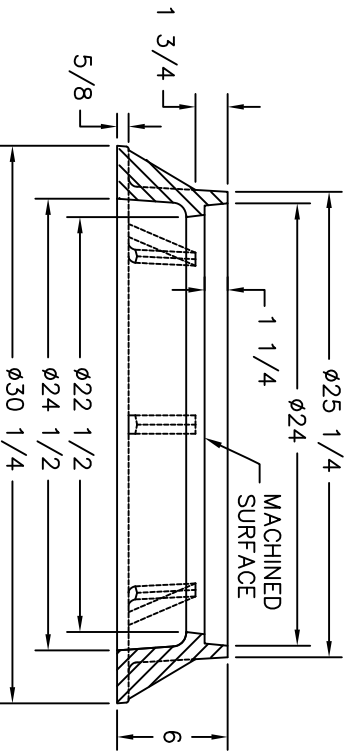


2 NON-PENETRATING PICK-HOLES



SECTION A-A
(E_Cover)



SECTION B-B
(170_Ring)

US FOUNDRY & MFG. CORP.
 8351 NW 93rd Street, Medley, FL 33166-2025
 ph: 1-800-433-9709 fax: 305-887-9429
 www.usfoundry.com
 © 2010 US Foundry & Mfg. Corp. All Rights Reserved

USF 170 RING & NB COVER

LOAD CLASSIFICATION: Heavy Duty

MATERIAL:	ASTM-A48 GRAY IRON CLASS35B
Ring No:	8020008 WGT: 150 SCALE: 1/8"=1"
Cover No:	130 DATE:

UNLESS OTHERWISE NOTED WEIGHT IS IN POUNDS AND APPROXIMATED	DATE:	REV BY:	QUOTE#