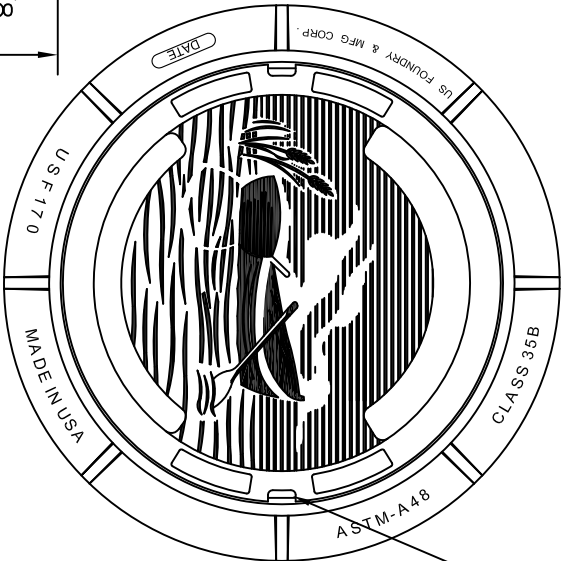
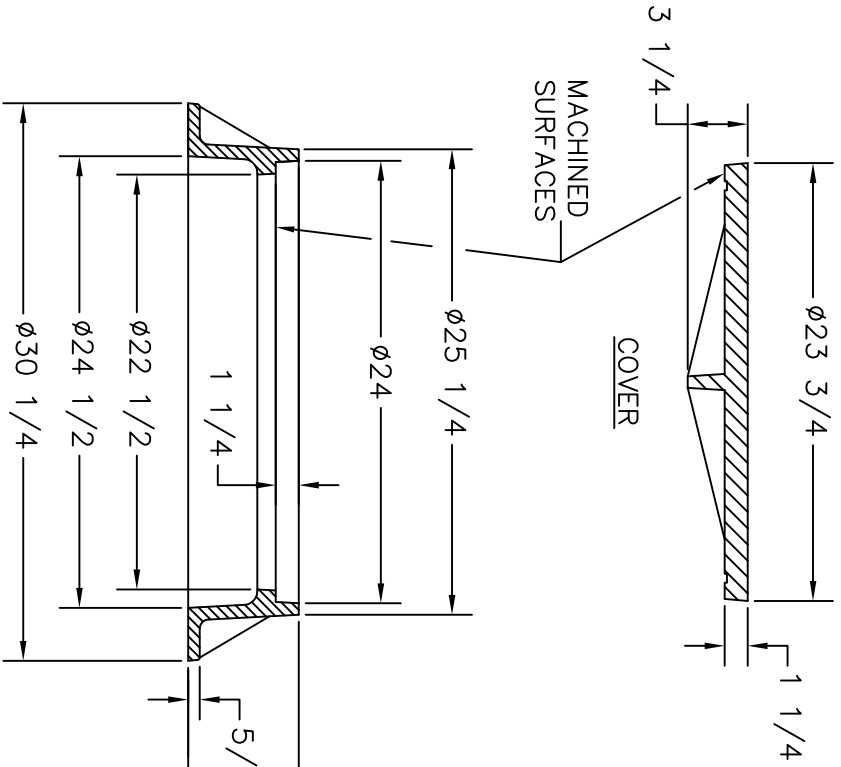


2 NON-PENETRATING PICKHOLES



US FOUNDRY & MFG. CORP.
 8351 NW 93rd Street, Moulton, FL 33166-2025
 ph: 1-800-432-9709 fax: 305-887-9429
 www.usfoundry.com
 © 2010 US Foundry & Mfg. Corp. All Rights Reserved

USF 170 RING & LW COVER
 (CA# LW SAME AS E DRAG)

LOAD CLASSIFICATION: Heavy Duty

MATERIAL:	ASTM-A48 GRAY IRON CLASS35B
Ring No:	8020008
Wght:	150
SCALE:	1/8"=1"
Cover No:	130
DATE:	
DRW. BY:	UJS

REV:	DATE:	REV BY:	QUOTE#

UNLESS OTHERWISE NOTED WEIGHTS IN POUNDS AND APPROXIMATED