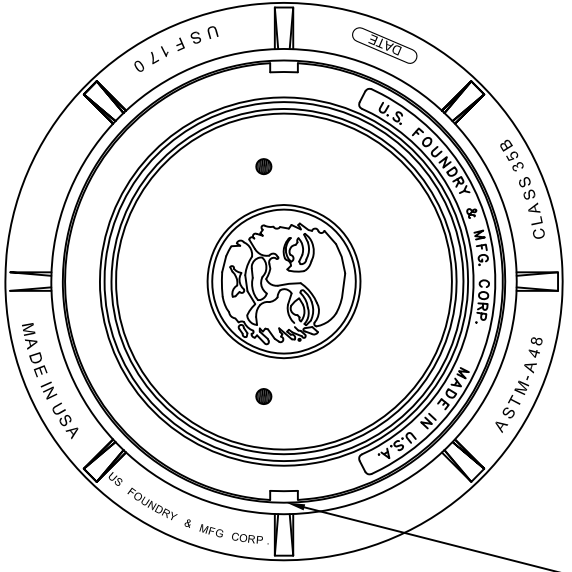
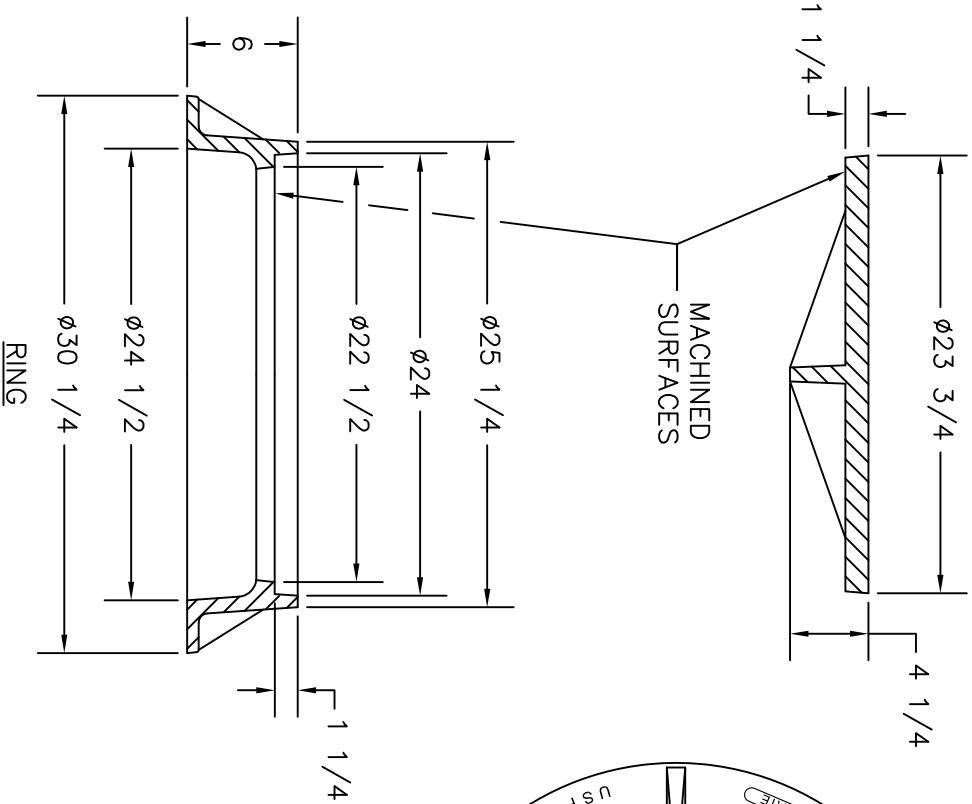


2 NON PENETRATING PICKHOLES



US FOUNDRY & MFG. CORP.
 8351 NW 93rd Street, Meeley, FL 33166-2025
 Ph: 1-800-443-9709; Fax: 305-887-9429
 www.usfoundry.com
 © 2010 US Foundry & Mfg. Corp. All Rights Reserved

USF 170 RING & LI COVER
 (CE DRAG)

LOAD CLASSIFICATION:	Light Duty
MATERIAL:	ASTM-A48 GRAY IRON CLASS35B
Ring No:	8020008
Weight:	150
Scale:	1/8"=1"
Cover No:	145
DATE:	
CHK. BY:	HJF

UNLESS OTHERWISE NOTED WEIGHT IS IN POUNDS AND APPROXIMATED			
REV.	DATE	REV BY:	QUOTE#