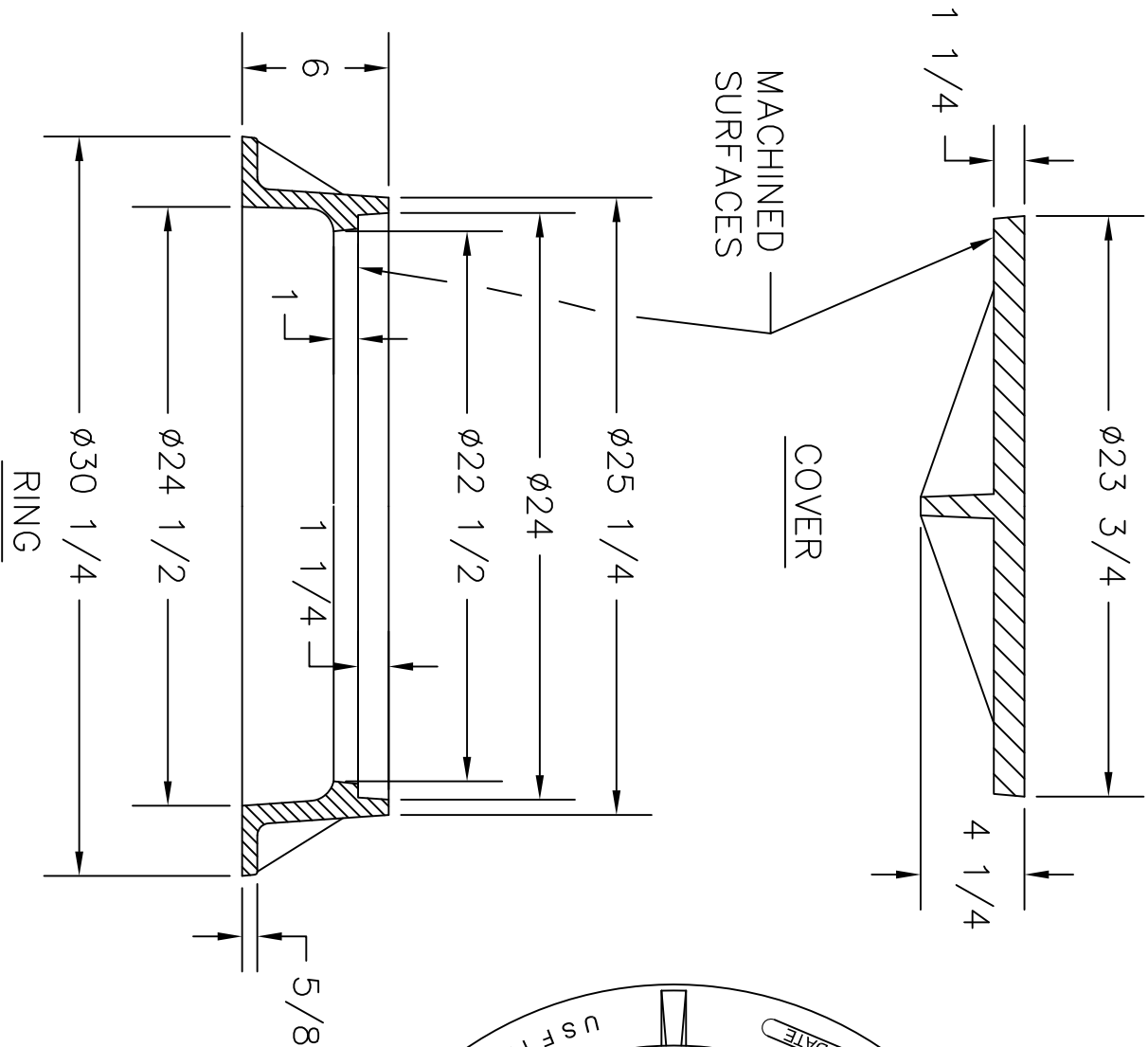



2 NON PENETRATING PICKHOLES



 <p>US FOUNDRY & MFG. CORP. 8351 NW 93rd Street, Medley, FL 33166-2025 ph: 1-800-432-9709; fax: 305-887-9429 www.usfoundry.com © 2010 US Foundry & Mfg. Corp. All Rights Reserved</p>	
<p>USF 170 RING & EU COVER (F DRAG)</p>	
LOAD CLASSIFICATION:	Light Duty
MATERIAL:	ASTM-A48 GRAY IRON CLASS35B
Ring No:	8020008
Wght:	150
Scale:	1/8"=1"
Cover No:	145
DATE:	
OWN. BY:	DBB
REV:	DATE:
REV BY:	QUOTE#

UNLESS OTHERWISE NOTED WEIGHT IS IN POUNDS AND APPROXIMATED