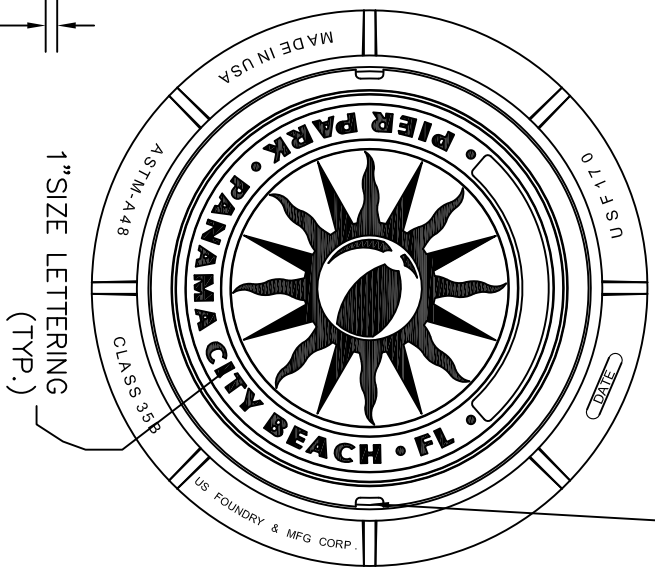
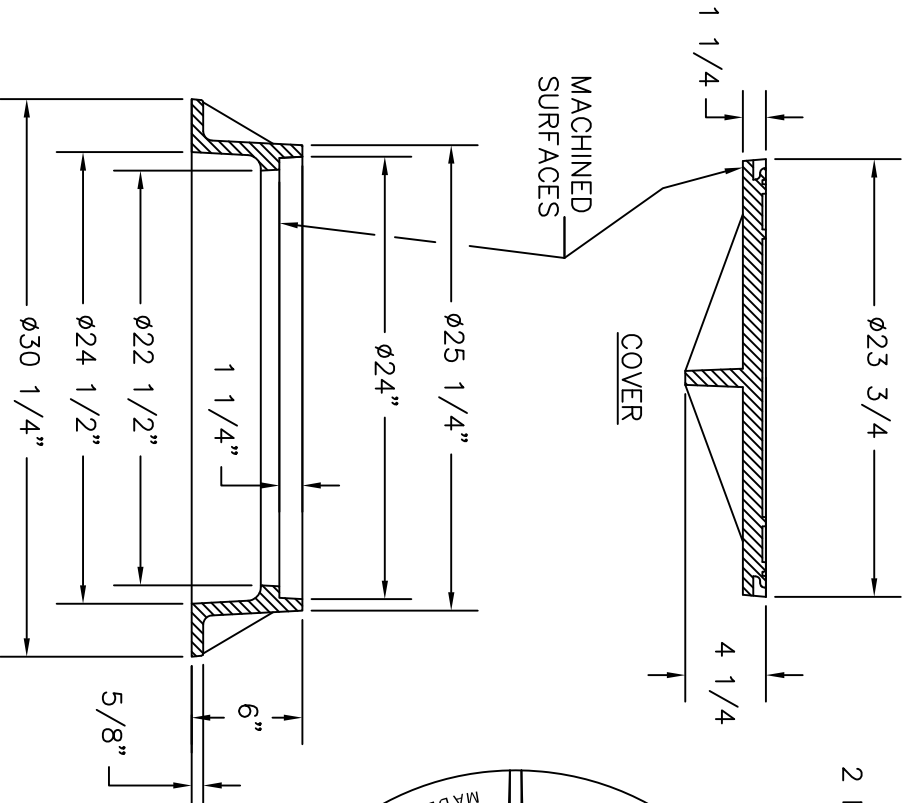


2 NON PENETRATING PICKHOLES



US FOUNDRY & MFG. CORP.
 8351 NW 93rd Street, Moulton, FL 33166-2025
 ph: 1-800-432-9709 fax: 305-887-9429
 www.usfoundry.com
 © 2010 US Foundry & Mfg. Corp. All Rights Reserved

USF 170 RING & EC COVER

LOAD CLASSIFICATION: Heavy Duty	
MATERIAL: ASTM-A48 GRAY IRON CLASS35B	SCALE: 1/8"=1"
Ring No: 8020008	WGT: 150
Cover No: 139	DATE:
REV:	DATE:
REV BY:	DATE:
UNLESS OTHERWISE NOTED WEIGHT IS IN POUNDS AND APPROXIMATED	
QUOTE#	