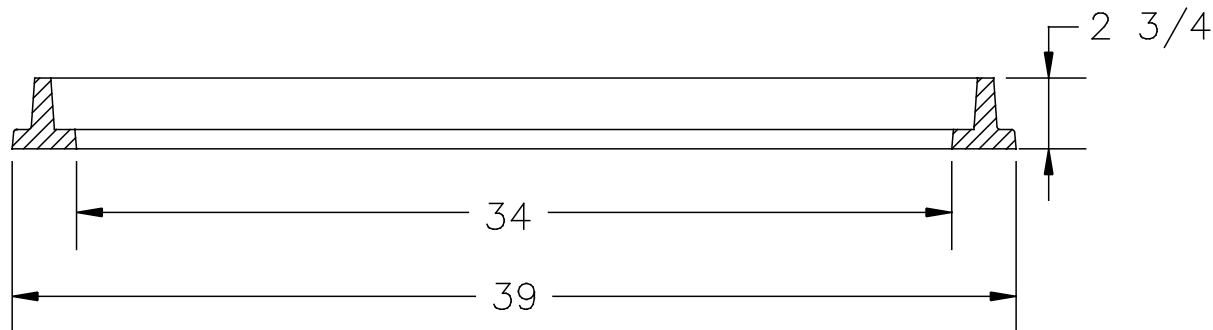
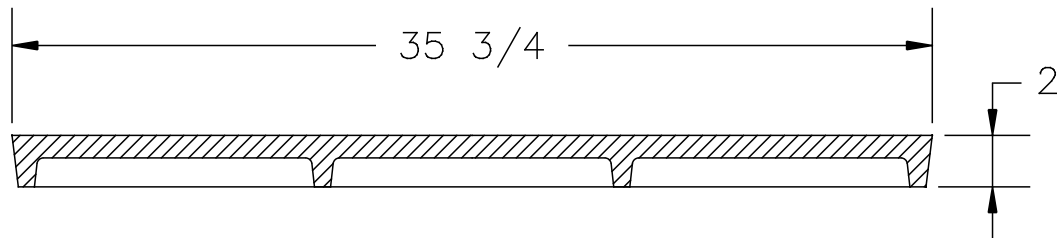
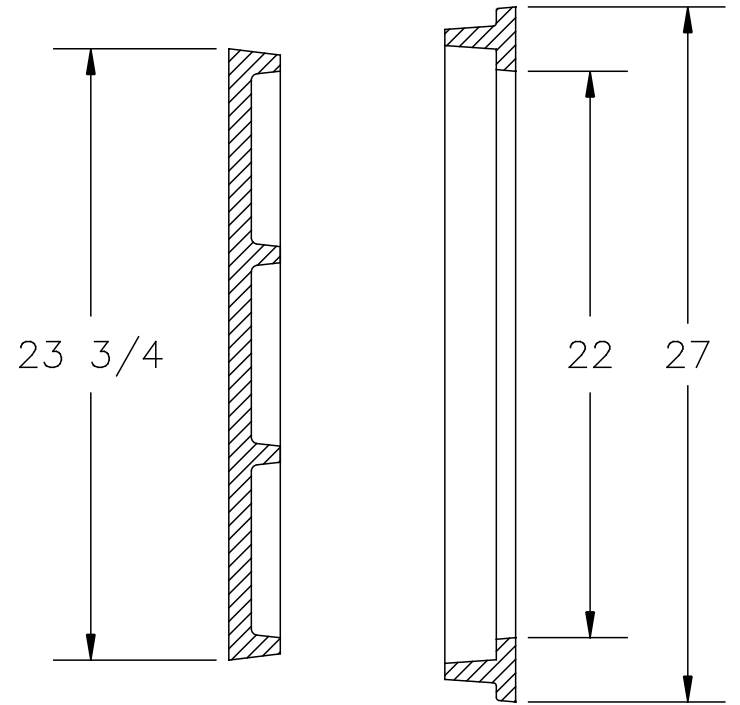


(2)– NON–PENETRATING PICKHOLE



NOTES:

- 1– MATERIAL: ASTM–A48  
CLASS 35B GRAY IRON.
- 2– FRAME WT: 105 LBS. APP.
- 3– COVER WT: 240 LBS. APP.

U.S. FOUNDRY & MFG. CORP.  
MIAMI, FLORIDA

USF 1641 FRAME & HI COVER

DWN. BY: JM      DATE: 10/14/91

CHK. BY:      DWG. NO: A2641