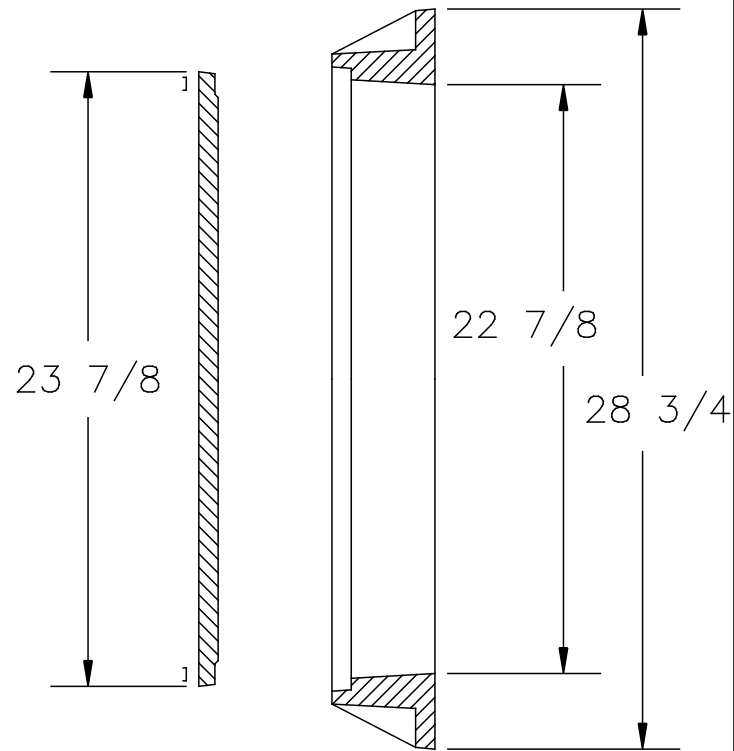
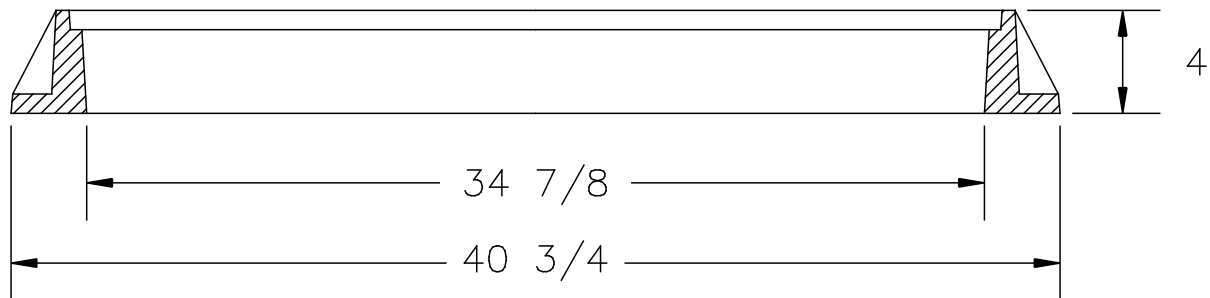
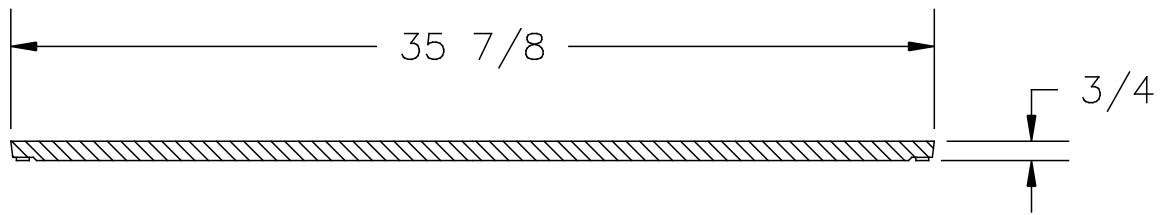


(2) - PENETRATING PICKHOLES



NOTES:

- 1- MATERIAL: ASTM-A48  
CLASS 35B GRAY IRON.
- 2- FRAME WT: 180 LBS. APP.
- 3- COVER WT: 165 LBS. APP.
- 4- LOADING: MEDIUM DUTY

U.S. FOUNDRY & MFG. CORP.  
MIAMI, FLORIDA

USF 1635 FRAME & JQ COVER

DWN. BY: JM      DATE: 8/06/91

CHK. BY:      DWG. NO: A2594