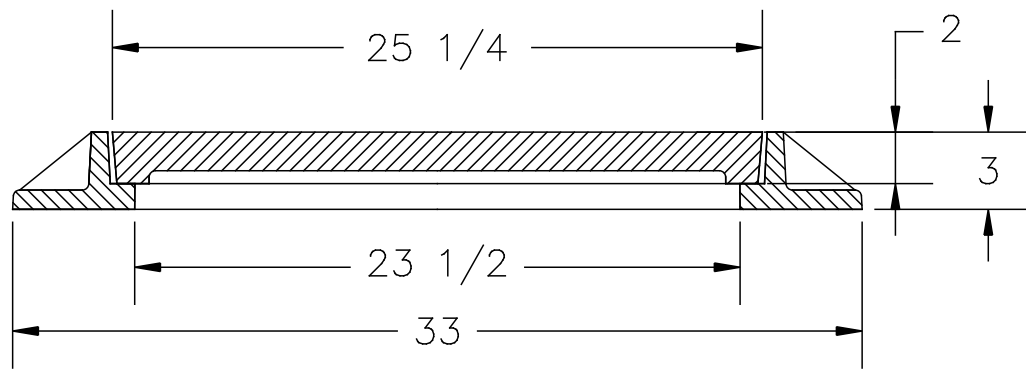
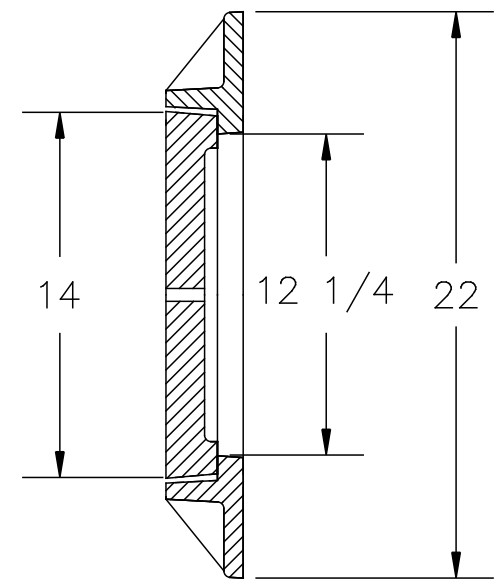



(1) - NON-PENETRATING PICKHOLE



NOTES:

- 1- MATERIAL: ASTM-A48 CLASS 35B GRAY IRON.
- 2- FRAME WT :120 LBS. APP.
- 3- COVER WT.: 95 LBS. APP.

 <b>U.S. FOUNDRY &amp; MFG. CORP.</b> MEDLEY, FLORIDA			
USF 1600 FRAME & HK COVER			
DWN. BY: JWS	SCALE: 1/8"=1"	DATE: 2/3/96	
CHK. BY:	DWG. NO: A3751	REV:	