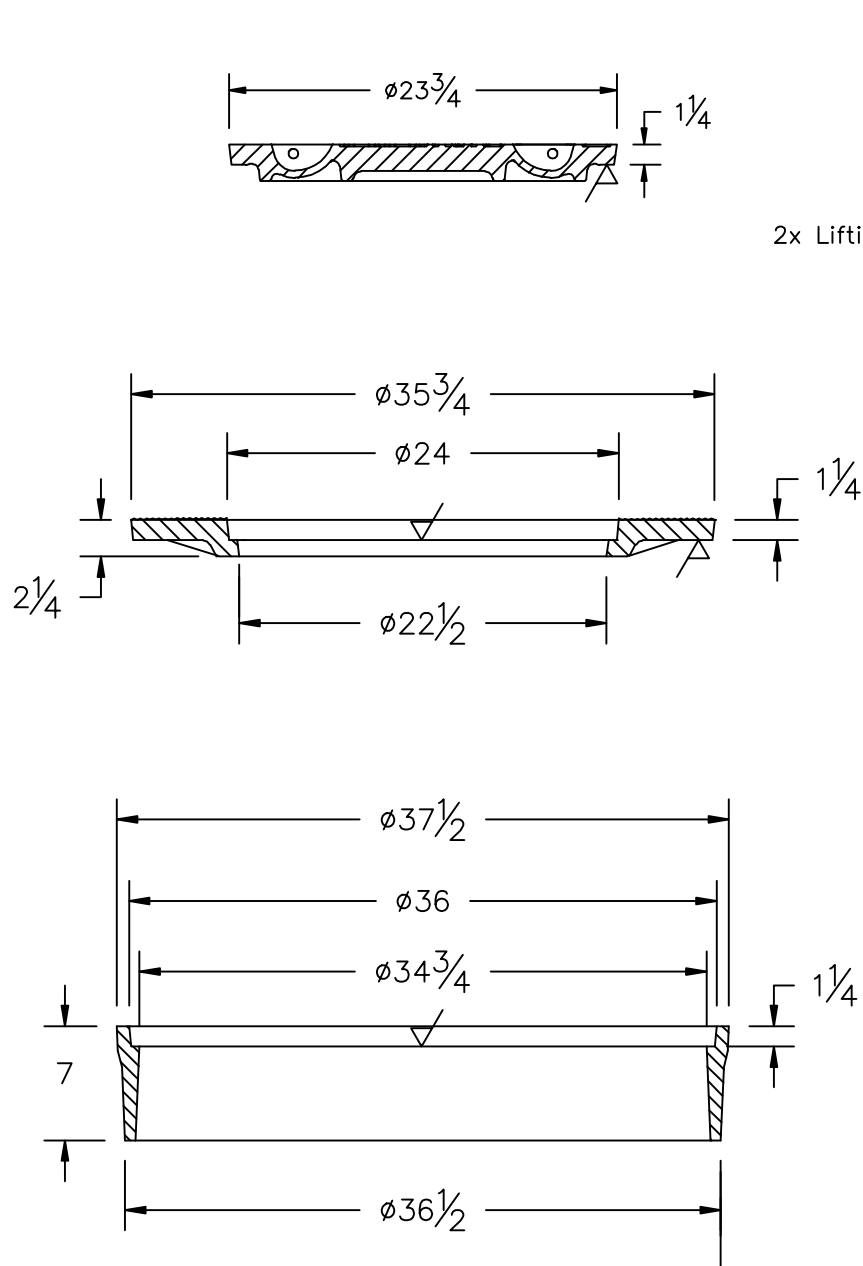
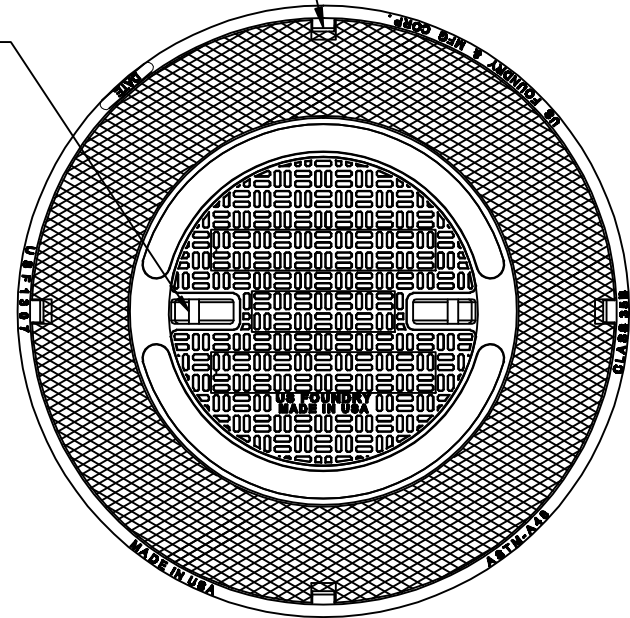


THE INFORMATION CONTAINED IN THIS DRAWING IS THE SOLE PROPERTY OF U.S. FOUNDRY & MANUFACTURING CORP. ANY REPRODUCTION IN PART OR AS A WHOLE WITHOUT THE WRITTEN PERMISSION OF U.S. FOUNDRY & MANUFACTURING CORP. IS PROHIBITED. U.S. FOUNDRY & MANUFACTURING CORP. RESERVES THE RIGHT TO MAKE MODIFICATIONS TO DESIGN WITHOUT PRIOR NOTICE. DRAWING IS UNCONTROLLED WHEN PRINTED. WEIGHTS AND DIMENSIONS ARE PROVIDED FOR REFERENCE ONLY. © 2015 US FOUNDRY AN EAGLE MANUFACTURING COMPANY



4x Penetrating Pick Holes

2x Lifting Bar




**US FOUNDRY**  
 AN EAGLE MANUFACTURING COMPANY © 2015 All Rights Reserved

8351 NW 93rd Street  
 Medley, FL, 33166-2025  
 ph: 1-800-432-9709  
 fax: 305-867-9429  
 www.usfoundry.com

USF 1307 Ring & CR/WS Covers

LOAD CLASSIFICATION: Heavy Duty		
MATERIAL: ASTM-A48 GRAY IRON CLASS35B		
Ring No:	8020088	SCALE: 1"=1"
Cover No:		DATE: 7/15/2015
Cover2 No:	8010098	OWN. BY: OD/ULS
REV: 0	DATE:	REV BY:
		QUOTE#