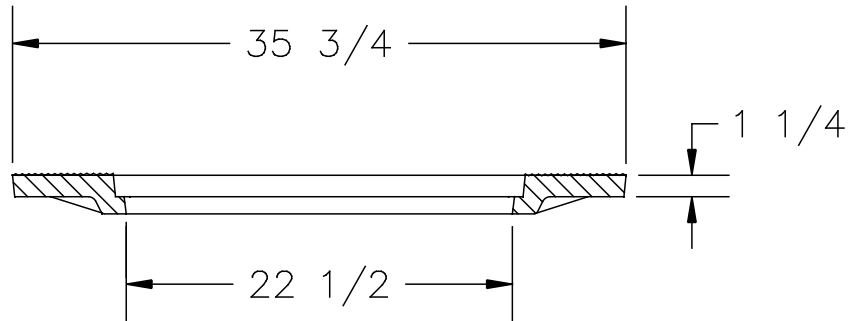
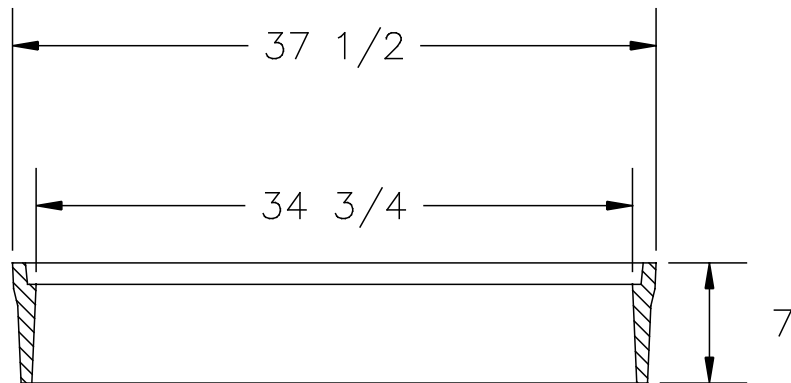


COVER

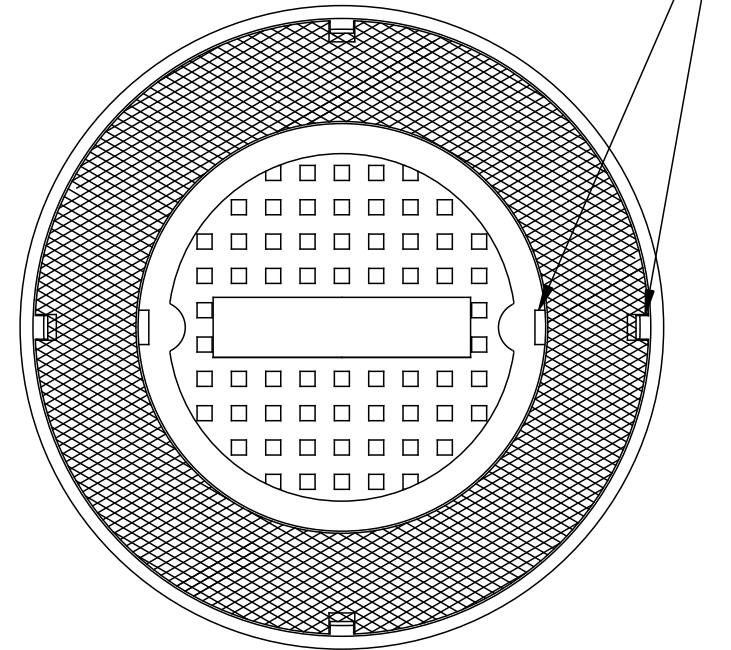


DOUBLE COVER



RING

(6)- NON PENETRATING PICKHOLES



NOTES:

- 1- MATERIAL: ASTM-A48 CLASS 35B GRAY IRON.
- 2- RING WT: 180 LBS. APP.
- 3- OUTER COVER WT: 220 LBS. APP.
- 4- INNER COVER WT: 130 LBS. APP.



U.S. FOUNDRY & MFG. CORP.
MEDLEY, FLORIDA

USF 1307 RING & CR-E COVERS

DWN. BY: A.M.	SCALE: 1" = 1'	DATE: 02/10/95
CHK. BY:	DWG. NO: A3299	REV: