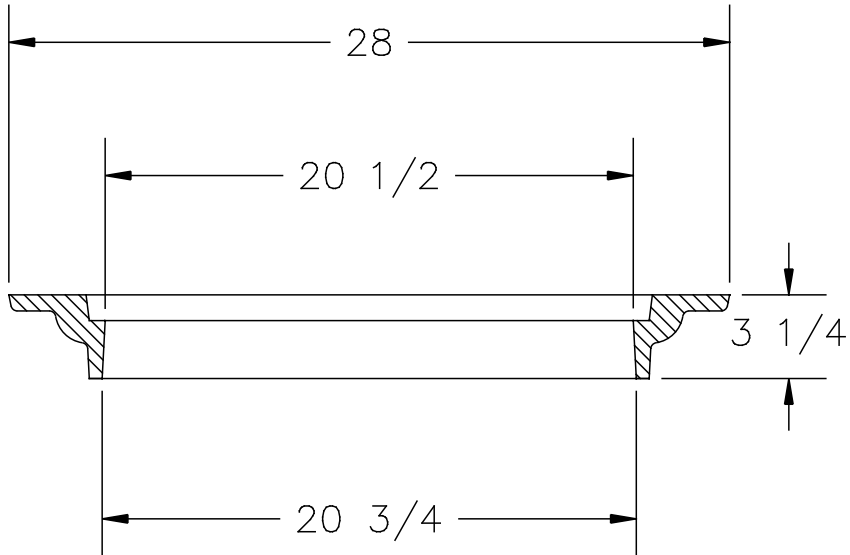
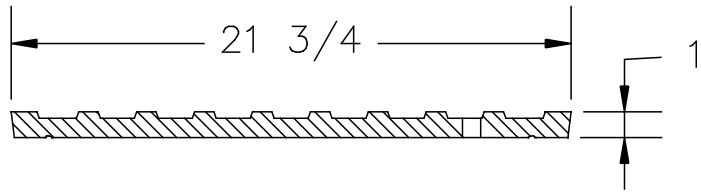
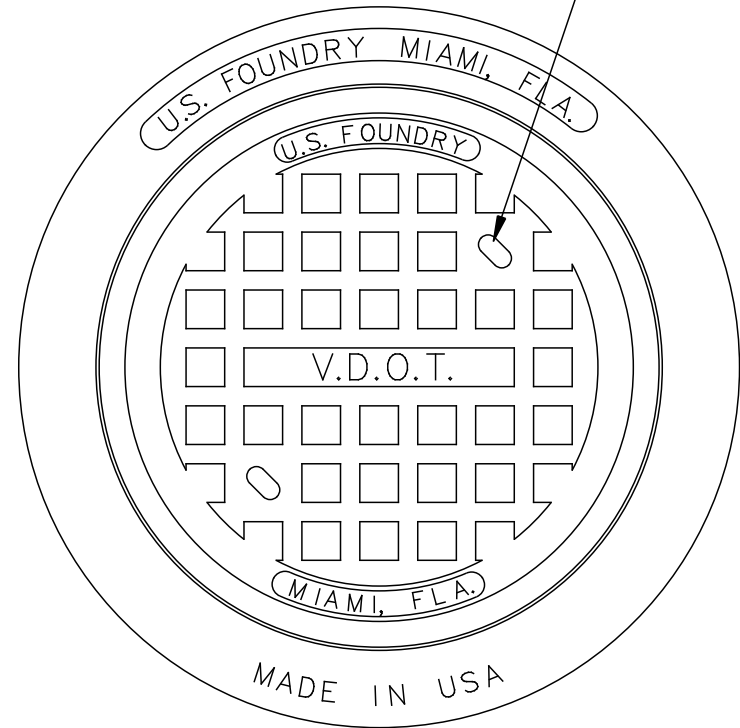


(2)- PICKSLOTS



NOTES:

- 1- MATERIAL: ASTM-A48 CLASS 35B GRAY IRON.
- 2- RING WT: 85 LBS. APP.
- 3- COVER WT: 85 LBS. APP.

U.S. FOUNDRY & MFG. CORP.
MIAMI, FLORIDA

USF 1301 RING & DE COVER

DWN. BY: DBB | DATE: 5/24/93

CHK. BY: | DWG. NO: A2981