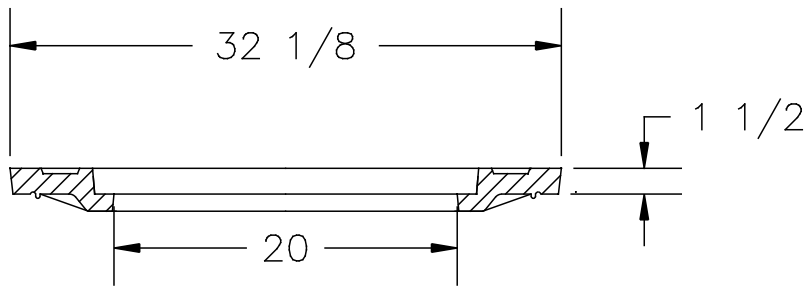
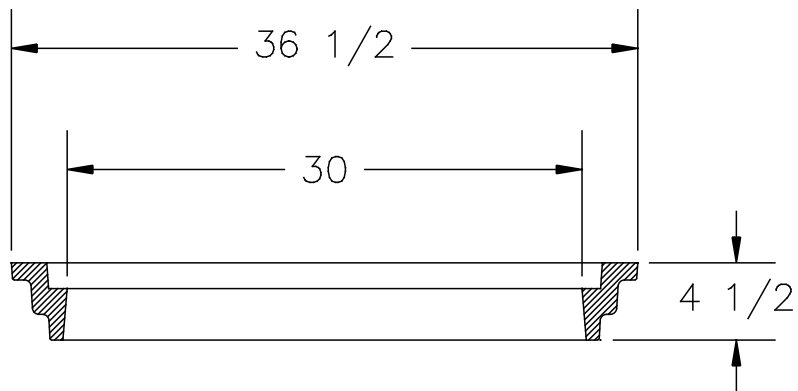


COVER

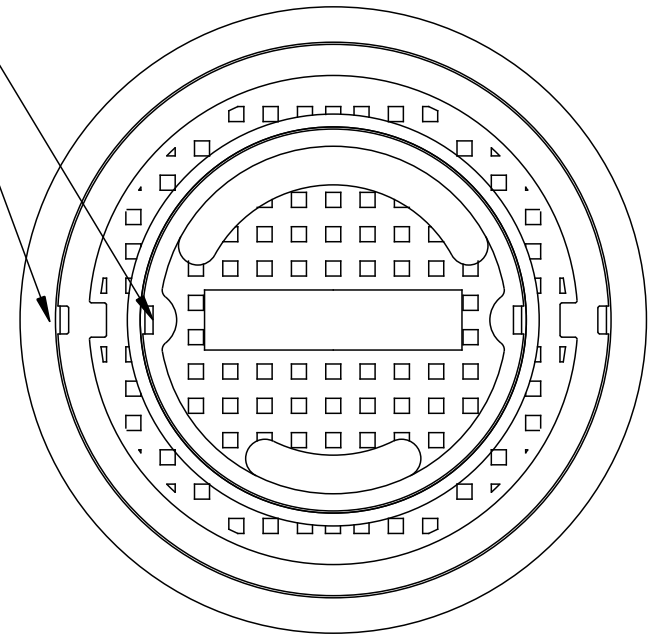


DOUBLE COVER



RING

(4)–NON PENETRATING  
PICKHOLES



NOTES:

- 1– MATERIAL: ASTM A-48  
CLASS 35B GRAY IRON.
- 2– RING WT: 185 LBS APP.
- 3– OUTER COVER WT: 190 LBS. APP.
- 4– INNER COVER WT: 105 APP.



**U.S. FOUNDRY & MFG. CORP.**  
MEDLEY, FLORIDA

USF 1300 RING AB/M COVER

DWN. BY: DBB	SCALE: 1" = 1'-0"	DATE: 3/4/98
CHK. BY:	DWG. NO: A4023	REV: