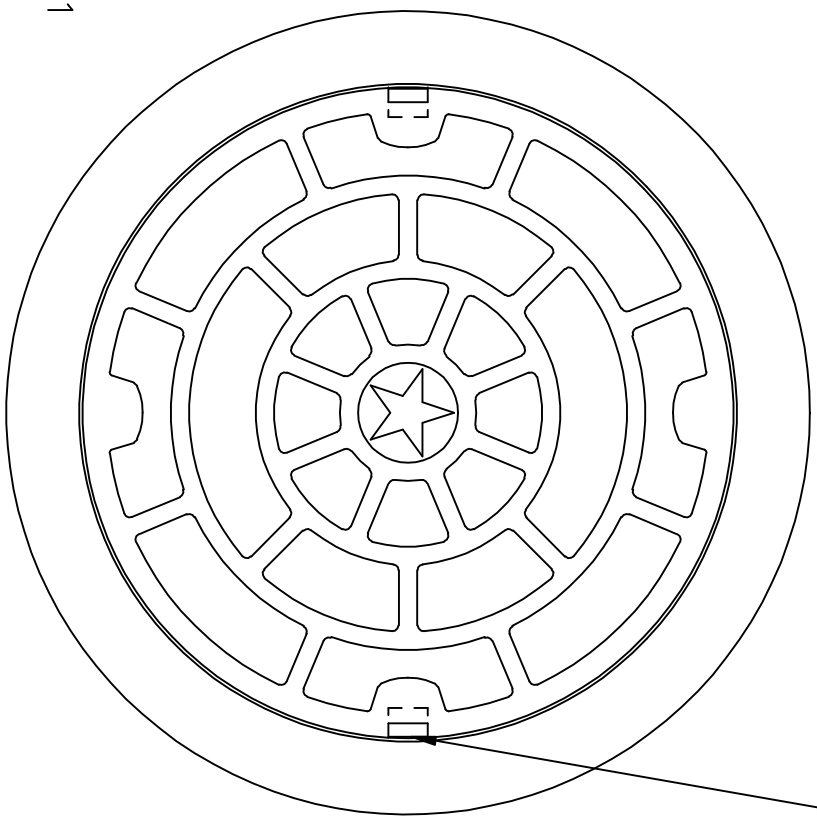


(2) - NON-PENETRATING PICKHOLES.



**US FOUNDRY & MFG. CORP.**  
 8351 NW 93rd Street, Medley, FL 33166-2025  
 Ph: 1-800-432-9709; Fax: 305-887-9429  
 www.usfoundry.com  
 © 2010 US Foundry & Mfg. Corp. All Rights Reserved

USF 1290 Ring & AY Cover

LOAD CLASSIFICATION: Heavy Duty	
MATERIAL: ASTM-A48 GRAY IRON CLASS35B	
Ring No: 8020079	WGT: 200 SCALE: 1/8"=1"
Cover No: 225	DATE: 3-8-98
	DNW. BY: DBB
UNLESS OTHERWISE NOTED WEIGHT IS IN POUNDS AND APPROXIMATED	
REV:	DATE: REV BY: QUOTE#