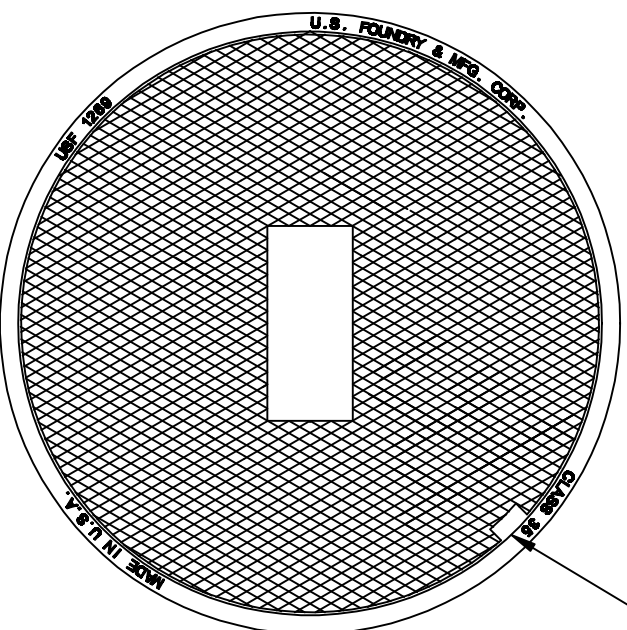
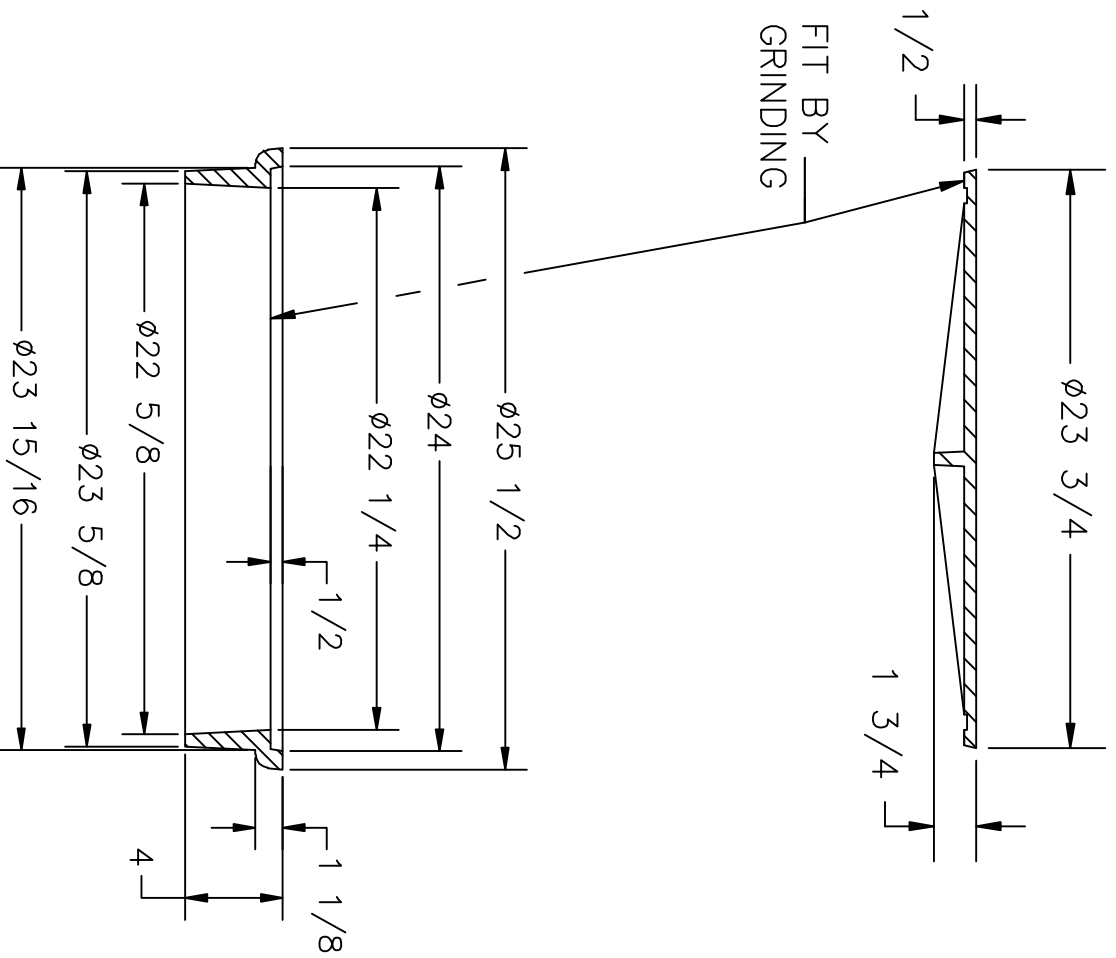


(1) PENETRATING PICKHOLE



**US FOUNDRY & MFG. CORP.**  
 8351 NW 93rd Street, Medley, FL 33166-2025  
 Ph: 1-800-432-9709; Fax: 305-887-9429  
 www.usfoundry.com  
 © 2010 US Foundry & Mfg. Corp. All Rights Reserved

USF 1269 Ring & AJ Cover

LOAD CLASSIFICATION:	Light Duty
MATERIAL:	ASTM-A48 GRAY IRON CLASS35B
Ring No:	8020700
Wght:	60
Scale:	1/8"=1"
Cover No:	55
DATE:	12-14-07
DNW. BY:	UJS
UNLESS OTHERWISE NOTED WEIGHT IS IN POUNDS AND APPROXIMATED	
REV:	DATE:
REV BY:	QUOTE# 2089