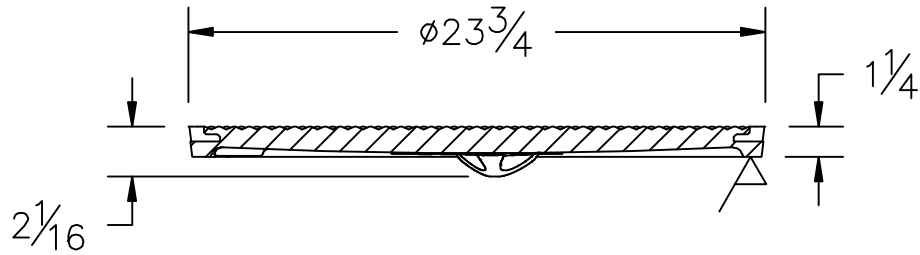
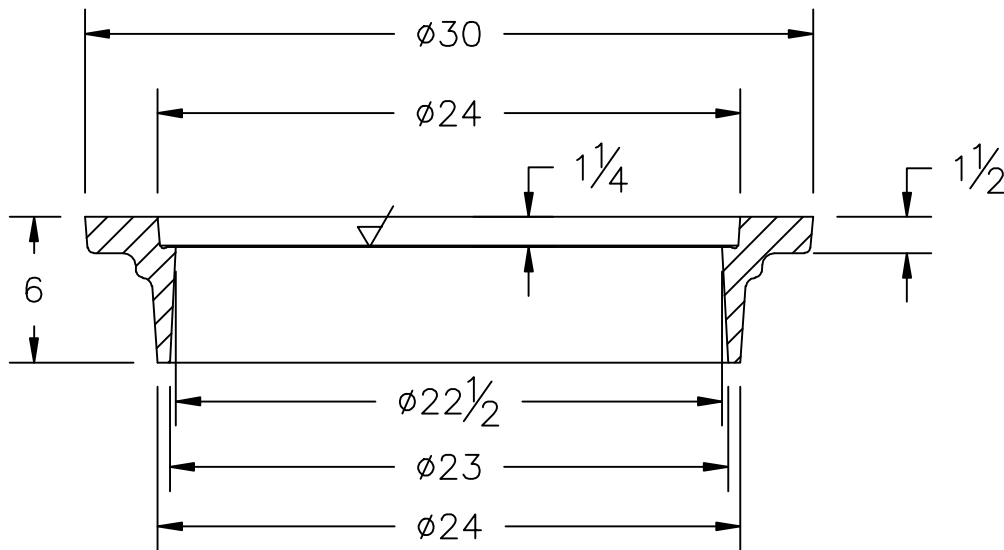
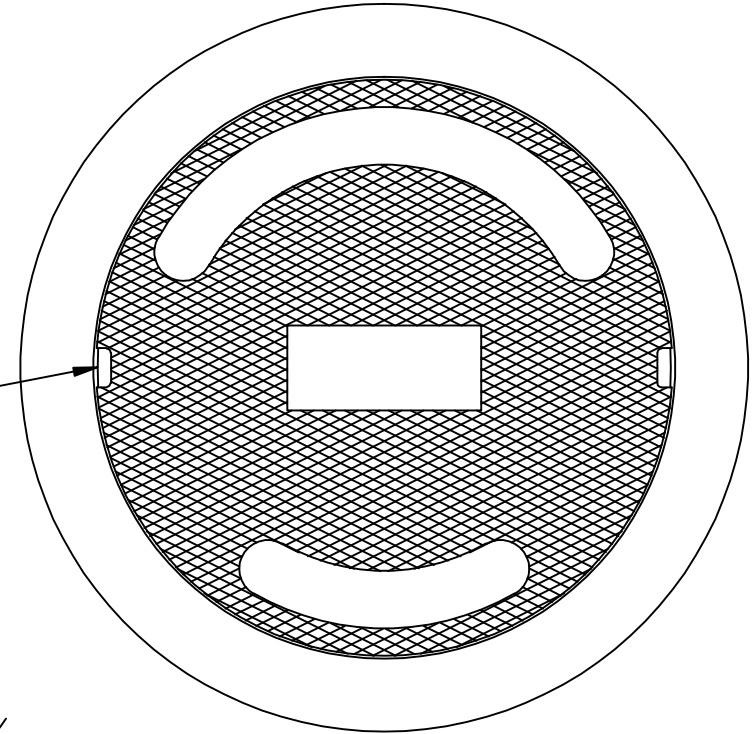


THE INFORMATION CONTAINED IN THIS DRAWING IS THE SOLE PROPERTY OF U.S. FOUNDRY & MANUFACTURING CORP. ANY REPRODUCTION IN PART OR AS A WHOLE WITHOUT THE WRITTEN PERMISSION OF U.S. FOUNDRY & MANUFACTURING CORP. IS PROHIBITED. U.S. FOUNDRY & MANUFACTURING CORP. RESERVES THE RIGHT TO MAKE MODIFICATIONS TO DESIGN WITHOUT PRIOR NOTICE. DRAWING IS UNCONTROLLED WHEN PRINTED. WEIGHTS AND DIMENSIONS ARE PROVIDED FOR REFERENCE ONLY. © 2015 US FOUNDRY AN EAGLE MANUFACTURING COMPANY



2x Non Penetrating Pick Holes




US FOUNDRY
 AN EAGLE MANUFACTURING COMPANY

8351 NW 93rd Street
 Medley, FL, 33166-2025
 ph: 1-800-432-9709
 fax: 305-887-9429
 www.usfoundry.com
 © 2015 All Rights Reserved

USF 1266 Ring & F-1 Cover

| | | |
|--|---------|-----------------|
| LOAD CLASSIFICATION: Heavy Duty | | |
| MATERIAL: AASHTO M306 GRAY IRON CLASS35B | | |
| Ring No: | 8020078 | SCALE: 1/8"=1" |
| Cover No: | | DATE: 5/13/2015 |
| | | OWN. BY: ULS |
| REV: 0 | DATE: | REV BY: QUOTE# |