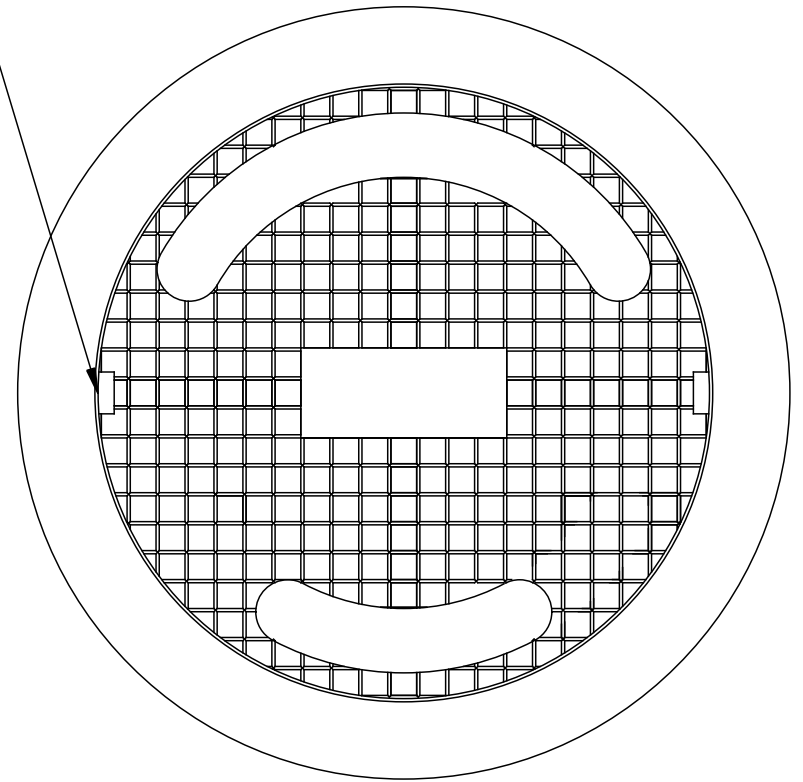


(2) NON-PENETRATING PICKHOLES



NOTES:

- 1- MATERIAL: ASTM-A48 CLASS 35B GRAY IRON
- 2- RING WT: 185 LBS. APP.
- 3- COVER WT: 200 LBS. APP.



U.S. FOUNDRY & MFG. CORP.
MEDLEY, FLORIDA

USF 1266 RING & BJ COVER

DWN. BY: JWS	SCALE: 1/8" = 1"	DATE: 3/19/96
CHK. BY:	DWG. NO: A2185	REV: