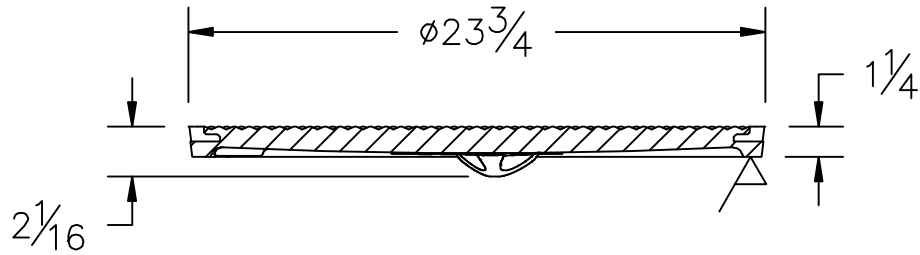
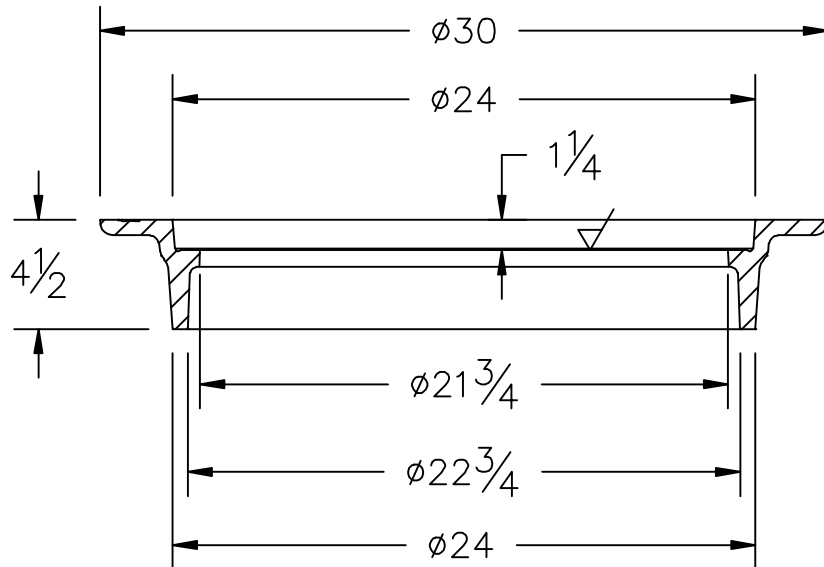
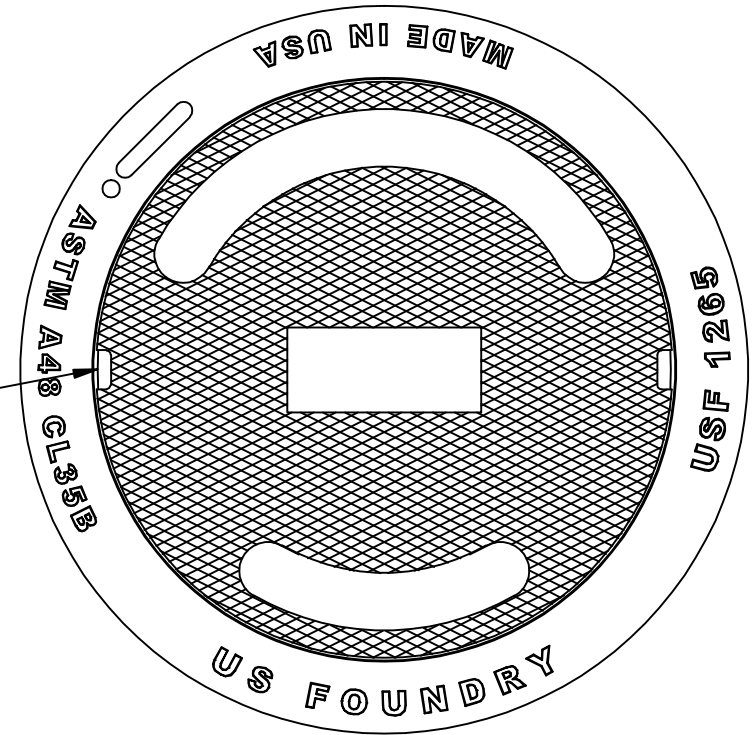


THE INFORMATION CONTAINED IN THIS DRAWING IS THE SOLE PROPERTY OF U.S. FOUNDRY & MANUFACTURING CORP. ANY REPRODUCTION IN PART OR AS A WHOLE WITHOUT THE WRITTEN PERMISSION OF U.S. FOUNDRY & MANUFACTURING CORP. IS PROHIBITED. U.S. FOUNDRY & MANUFACTURING CORP. RESERVES THE RIGHT TO MAKE MODIFICATIONS TO DESIGN WITHOUT PRIOR NOTICE. DRAWING IS UNCONTROLLED WHEN PRINTED. WEIGHTS AND DIMENSIONS ARE PROVIDED FOR REFERENCE ONLY. © 2015 US FOUNDRY AN EAGLE MANUFACTURING COMPANY



2x Non Penetrating Pick Holes




**US FOUNDRY**  
 AN EAGLE MANUFACTURING COMPANY © 2015 All Rights Reserved

8351 NW 93rd Street  
 Medley, FL, 33166-2025  
 ph: 1-800-432-9709  
 fax: 305-887-9429  
 www.usfoundry.com

USF 1265 Ring & F-1 Cover

|  |         |                 |
|--|---------|-----------------|
| LOAD CLASSIFICATION: Heavy Duty          |         |                 |
| MATERIAL: AASHTO M306 GRAY IRON CLASS35B |         |                 |
| Ring No:                                 | 8020002 | SCALE: 1/8"=1"  |
| Cover No:                                |         | DATE: 5/12/2015 |
|  |         | OWN. BY: ULS    |
| REV: 0                                   | DATE:   | REV BY: QUOTE#  |