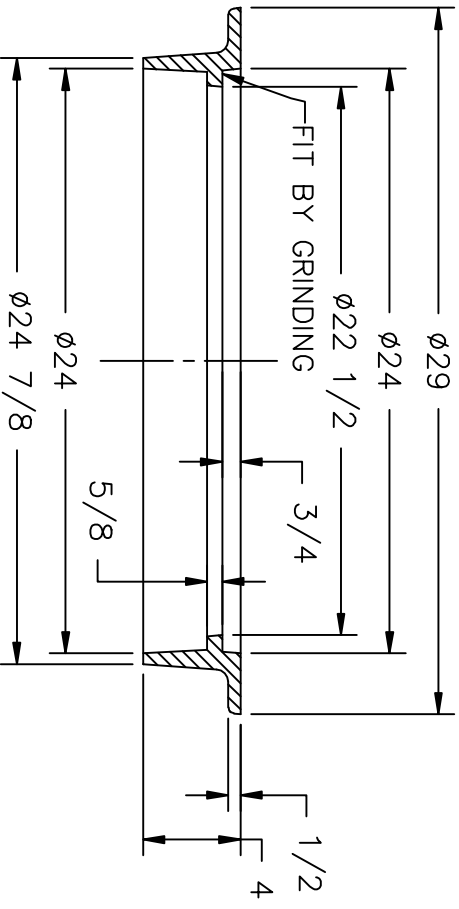


SECTION A-A



SECTION B-B
(1259_RING)

US FOUNDRY & MFG. CORP.
 8351 NW 93rd Street, Medley, FL 33166-2025
 Ph: 1-800-432-9709; Fax: 305-887-9429
 www.usfoundry.com
 © 2010 US Foundry & Mfg. Corp. All Rights Reserved

USF 1259 Ring & BP Cover

LOAD CLASSIFICATION:	Light Duty
MATERIAL:	ASTM-A48 GRAY IRON CLASS35B
Ring No:	8020016
Wght:	75
Scale:	1/8"=1"
Cover No:	55
DATE:	9-14-04
DRW. BY:	JM
UNLESS OTHERWISE NOTED WEIGHT IS IN POUNDS AND APPROXIMATED	
REV:	DATE:
REV BY:	QUOTE#