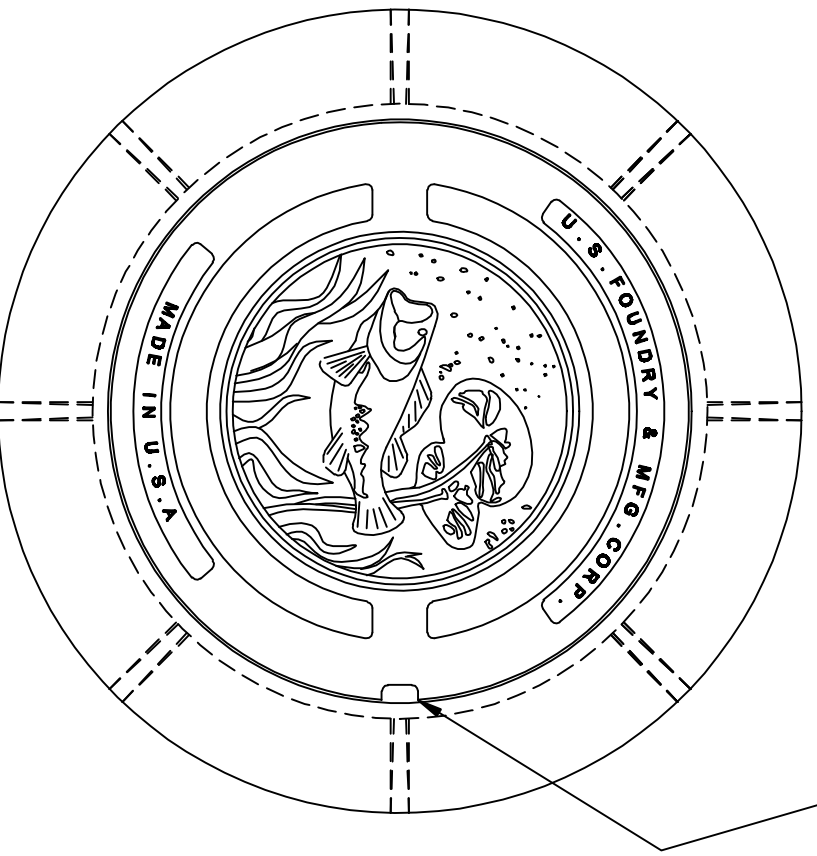
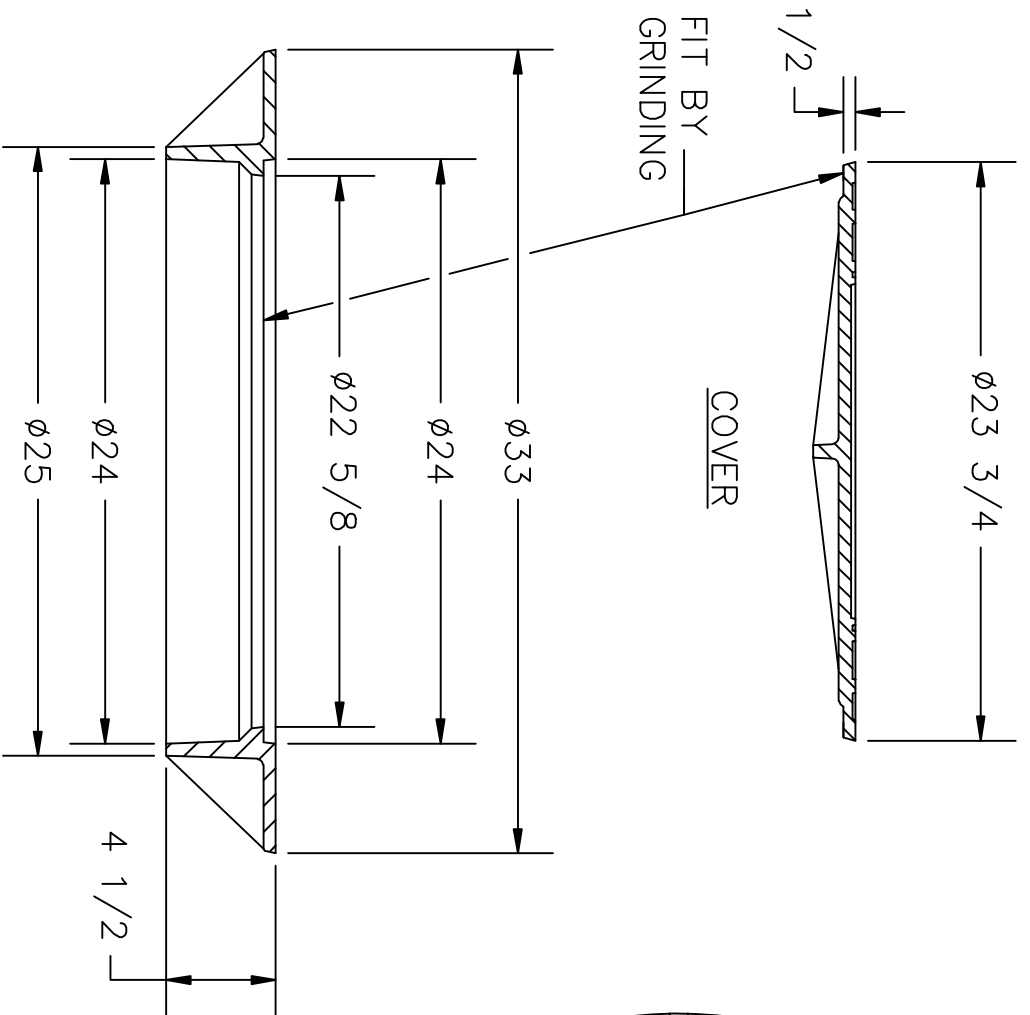


1 PENETRATING PICKHOLE



US FOUNDRY & MFG. CORP.
 8351 NW 93rd Street, Medley, FL 33166-2025
 Ph: 1-800-432-9709; Fax: 305-887-9429
www.usfoundry.com
 © 2010 US Foundry & Mfg. Corp. All Rights Reserved

USF 1255 Ring & MF Cover
 (Family one set up)

LOAD CLASSIFICATION:	Light Duty
MATERIAL:	ASTM-A48 GRAY IRON CLASS35B
Ring No:	8020014
Weight:	120
Scale:	1/8"=1"
Cover No:	60
DATE:	12-28-04
DWN. BY:	UJS
UNLESS OTHERWISE NOTED WEIGHT IS IN POUNDS AND APPROXIMATED	
REV:	DATE:
REV BY:	QUOTE# 1073