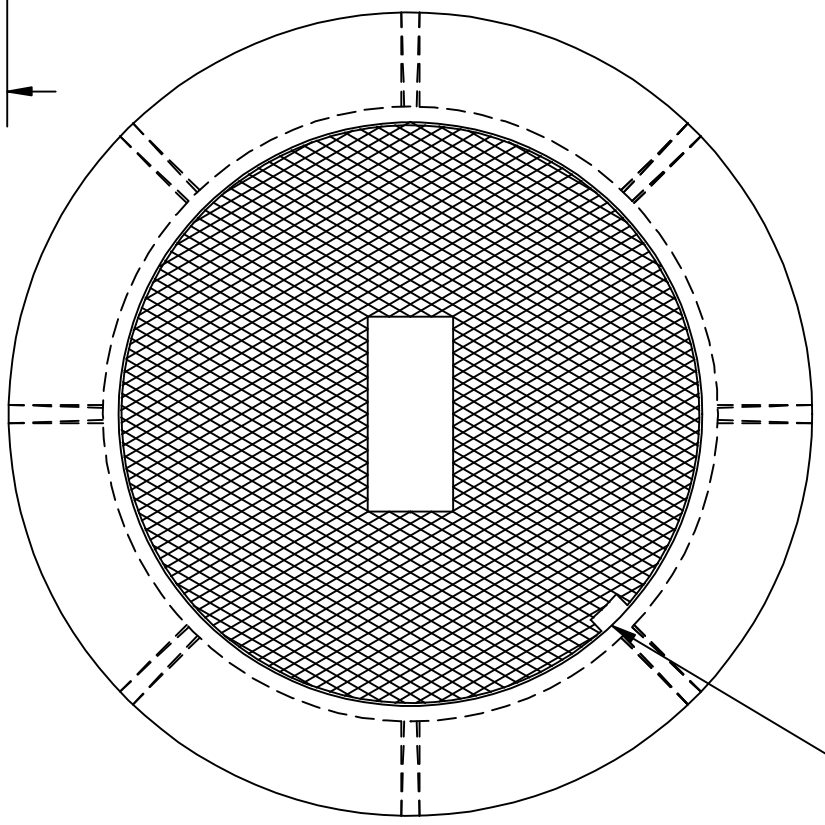
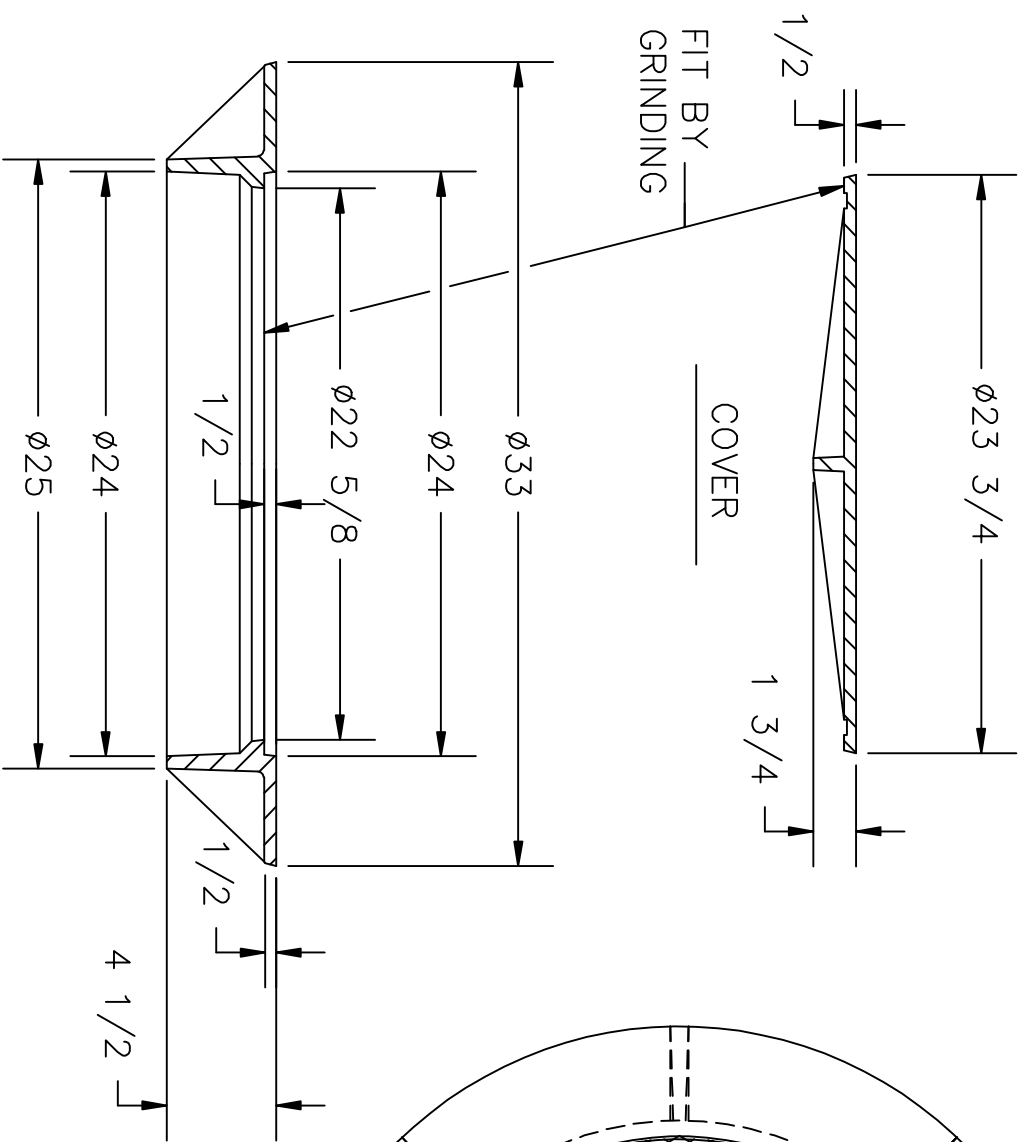


1 PENETRATING PICKHOLE



RING

**US FOUNDRY & MFG. CORP.**  
 8351 NW 93rd Street, Medley, FL 33166-2025  
 Ph: 1-800-432-9709; Fax: 305-887-9429  
 www.usfoundry.com  
 © 2010 US Foundry & Mfg. Corp. All Rights Reserved

USF 1255 ring & AJ Cover

LOAD CLASSIFICATION: Light Duty	
MATERIAL: ASTM-A48 GRAY IRON CLASS35B	
Ring No: 8020014	WGHT: 120
Cover No: 55	SCALE: 1/8"=1"
	DATE: 10-4-06
	DRN: EW/NR
UNLESS OTHERWISE NOTED WEIGHT IS IN POUNDS AND APPROXIMATED	
REV: _____	DATE: _____
REV BY: _____	QUOTE# _____