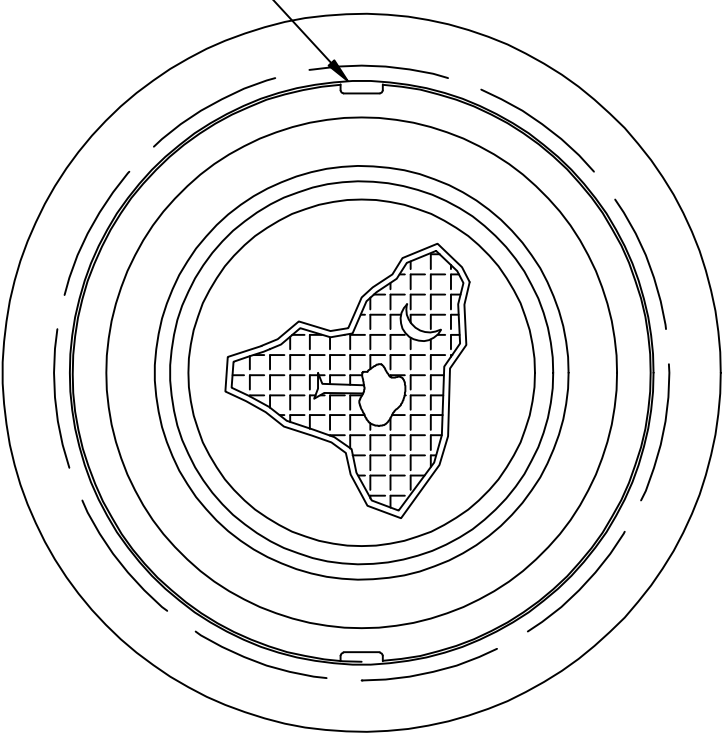
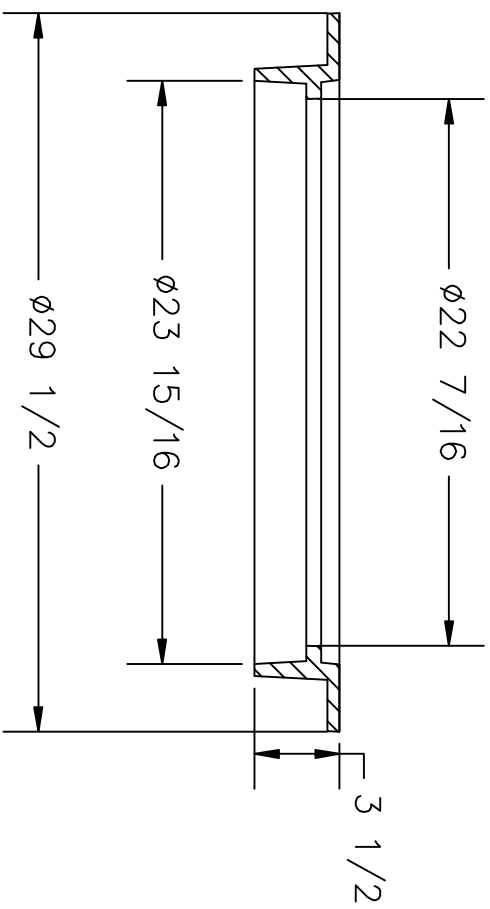


(2) - PENETRATING PICKHOLES



**US FOUNDRY & MFG. CORP.**  
 8351 NW 93rd Street, Medley, FL 33166-2025  
 Ph: 1-800-432-9709; Fax: 305-887-9429  
[www.usfoundry.com](http://www.usfoundry.com)  
 © 2010 US Foundry & Mfg. Corp. All Rights Reserved

USF 1254 Ring & CS Cover  
 SC DOT

LOAD CLASSIFICATION: Light Duty	
MATERIAL: ASTM-A48 GRAY IRON CLASS35B	
Ring No: 8020454	WGT: 80
Cover No: 8014032	SCALE: 1/8"=1"
	DATE: 2-14-08
	DRN: BLS/OD
UNLESS OTHERWISE NOTED WEIGHT IS IN POUNDS AND APPROXIMATED	
REV:	DATE: REV BY: QUOTE#