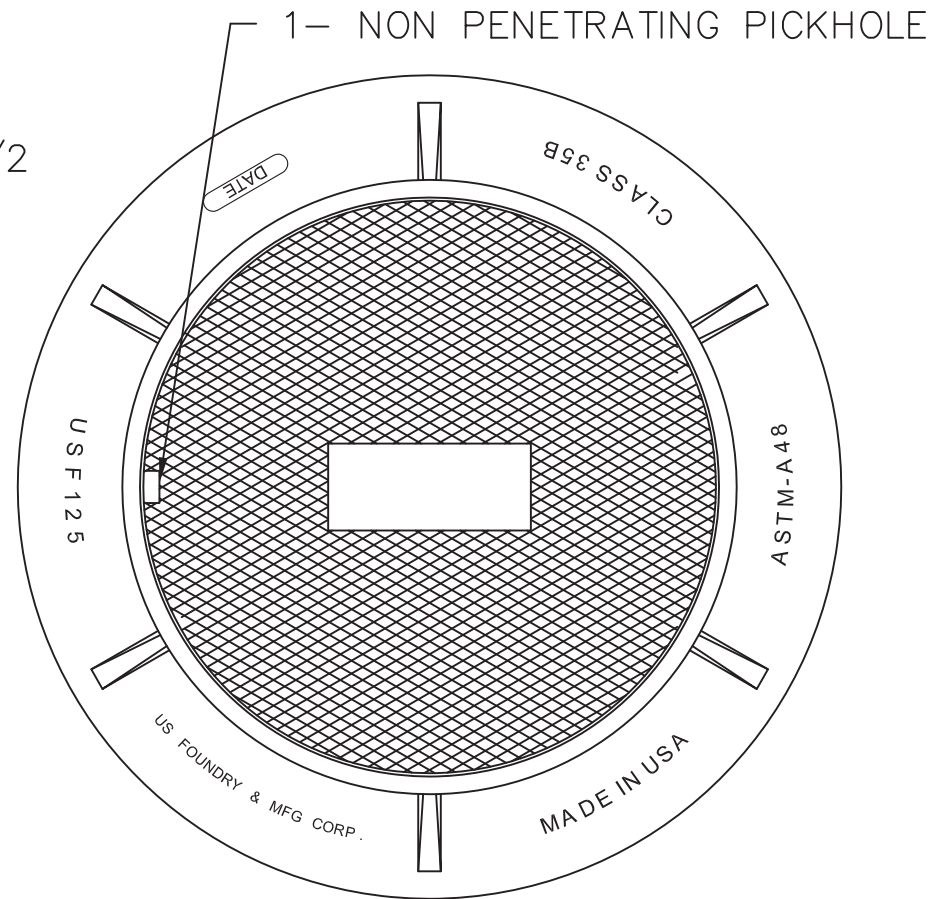
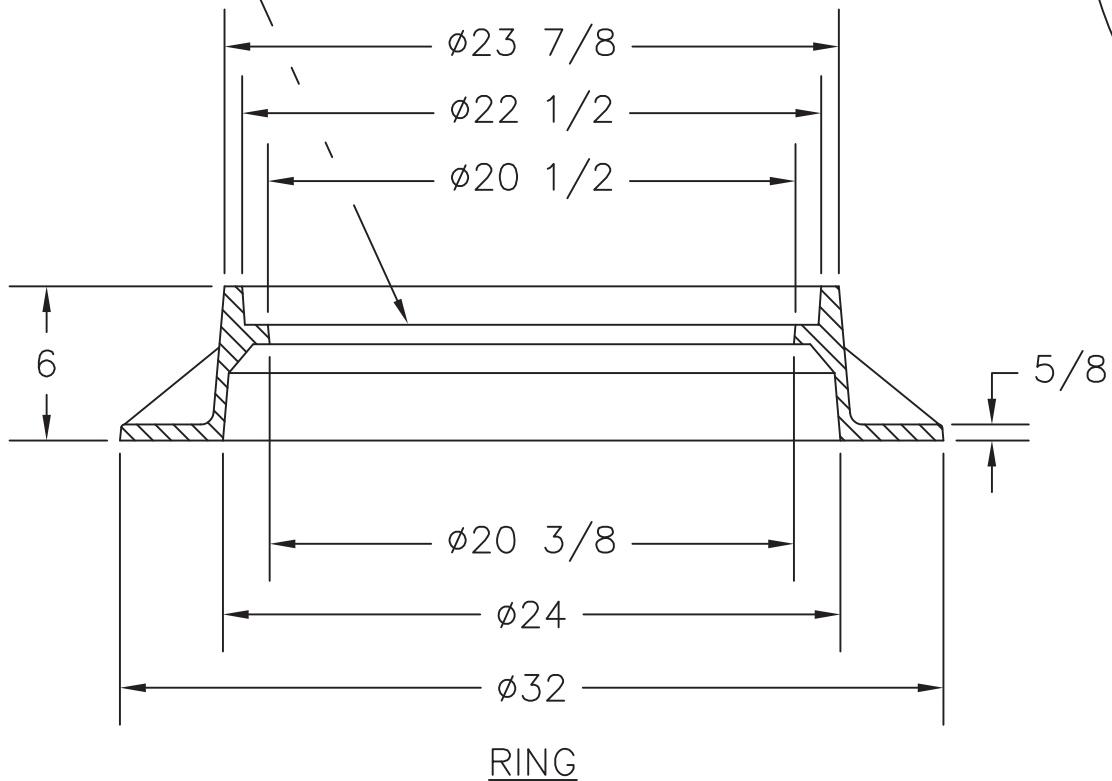


MACHINED SURFACE




**US FOUNDRY & MFG. CORP.**  
 8351 NW 93rd Street, Medley, FL 33166-2025  
 ph: 1-800-432-9709; fax: 305-887-9429  
 www.usfoundry.com  
 © 2010 US Foundry & Mfg. Corp. All Rights Reserved

**USF 125 RING & P COVER**

LOAD CLASSIFICATION: Light Duty			
MATERIAL: ASTM-A48 GRAY IRON CLASS35B			
Ring No:	8020040	WGHT: 145	SCALE: 1/8"=1"
Cover No:		90	DATE:
			DWN. BY: AWS
UNLESS OTHERWISE NOTED WEIGHT IS IN POUNDS AND APPROXIMATED			
REV:	DATE:	REV BY:	QUOTE#