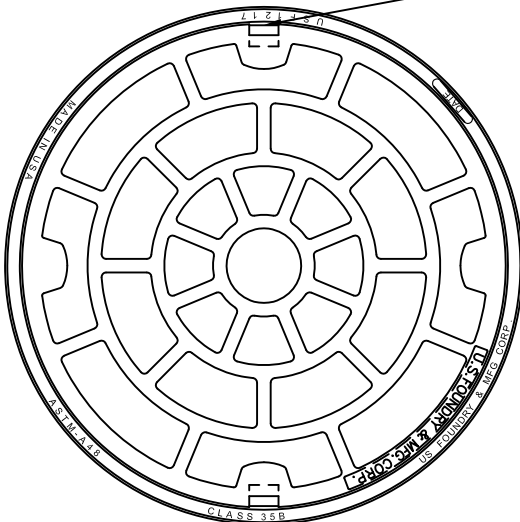


(2) - NON-PENETRATING PICKHOLES



US FOUNDRY & MFG. CORP.
 8351 NW 93rd Street, Medley, FL 33166-2025
 ph: 1-800-432-9709; fax: 305-887-9429
 www.usfoundry.com
 © 2010 US Foundry & Mfg. Corp. All Rights Reserved

USF 1217 RING & AY COVER

LOAD CLASSIFICATION: Heavy Duty	
MATERIAL: ASTM-A48 GRAY IRON CLASS35B	
Ring No: 80200691	WGT: 105
Cover No: 225	SCALE: 1/8"=1"
DATE: 2/25	DATE: 2/25
CHKD BY: DBB	
UNLESS OTHERWISE NOTED WEIGHT IS IN POUNDS AND APPROXIMATED	
REV:	DATE:
	REV BY:
	QUOTE#: