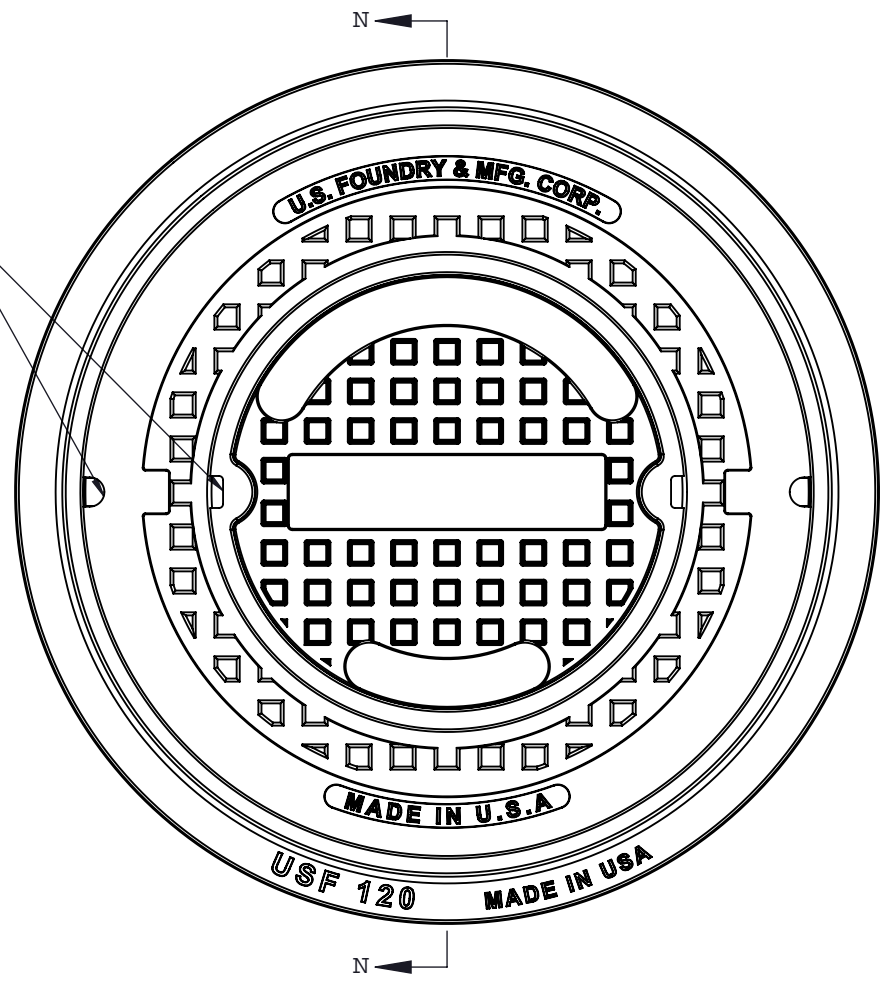
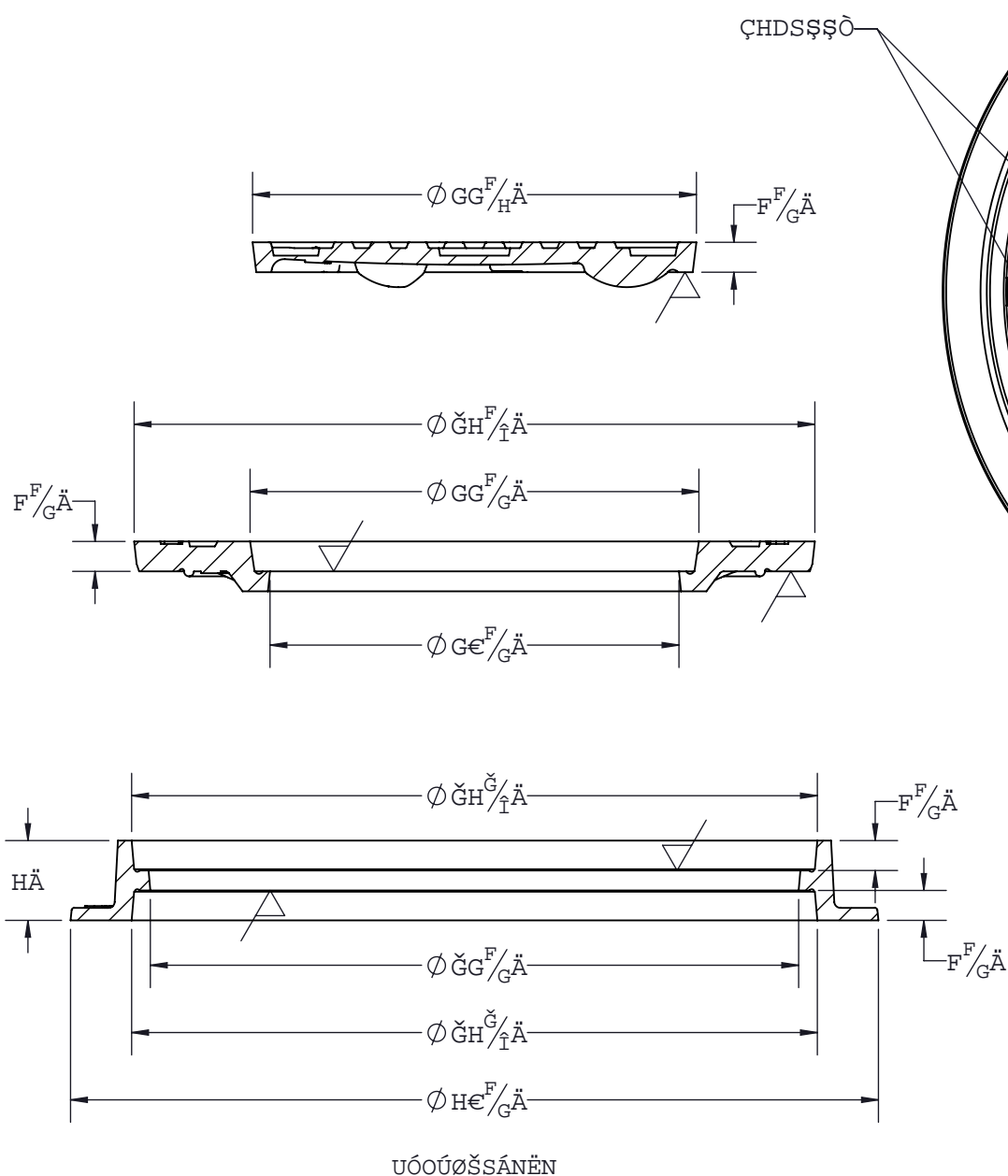


H:9B:CFA5HC B7CBH5B98 B H:G8F5K B: 4GH:9GC@DFCD9FMC:1'G:C1B8FM' A5BI:57HF B: 7CFD'5BMF9DFC8I7HC B 4D5FH  
 CF5G5K <C@K H:C1HH:9K F#H9B D9FA GGCBC:1'G:C1B8FM' A5BI:57HF B: 7CFD'6DFC<6H98'1'G:C1B8FM' A5BI:57HF B:  
 7CFD'F90FJ 9GH:9F< <HC A579AC8<75HCBGHC 89G< B K H:C1HDFCFBCH7 9'8F5K B: 4I B7CBHC@98 K <9B DF4H98'K 9< HG  
 5B8 8A 9BGCBG5F9DFCJ 498:C F9.9F9B79CB@M# 88% 1 G:C1B8FM5B'95; @A5BI:57HF B: 7CAD5BM



US FOUNDRY  
 AN EAGLE MANUFACTURING COMPANY

I G: '120'F]b[ / '7K #A '7cj Yfg

© 58 7 6GG=75HC B. CCUI VQ'O 528		
A 5H9F 5@	I tc{'Ecu'Kqp	CUVO/C6: 'Encu'57D
#9A.	655B'	8F5K B:
		85HP
		34B4238
		8F5K B'6M
		WNUICD
F9J	2 85HP	F9J 6M
		E T CH9.

:cfU Wca d'YH' d'fcXi WhcZYf]b[ 'd'YUg' j ]gh' gUh k k k "i gZci bXfm'Wca

71 gftca Yf.8fuk ]bl