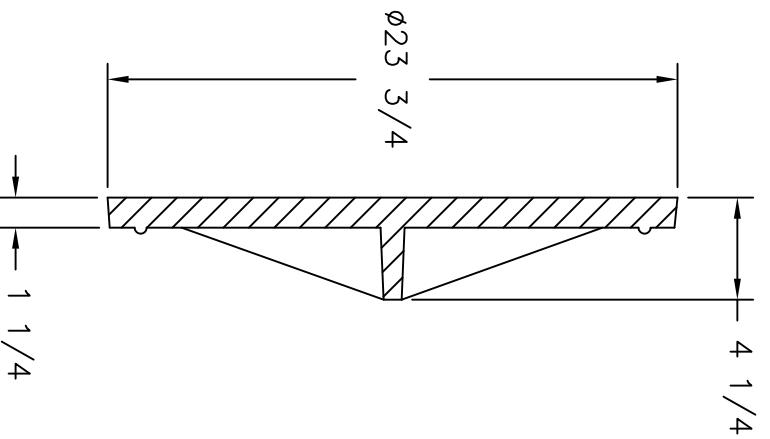
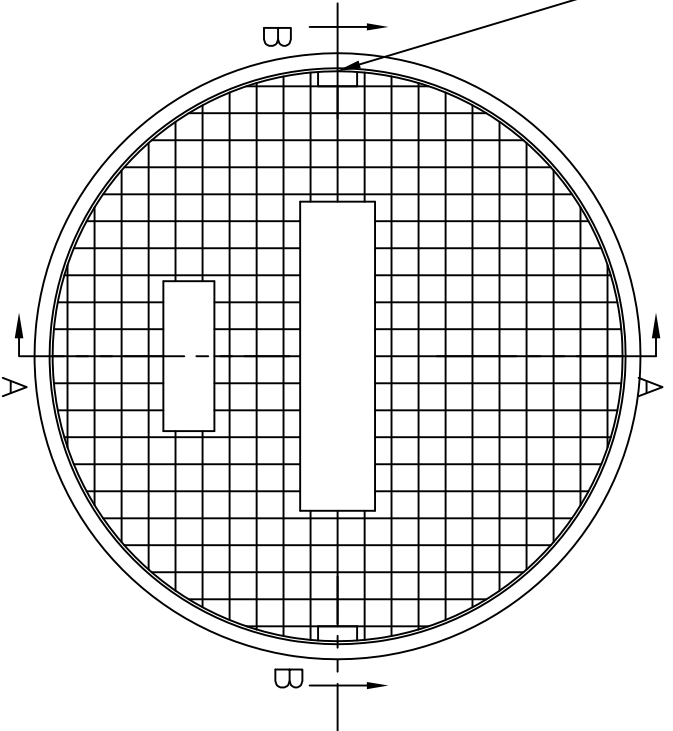
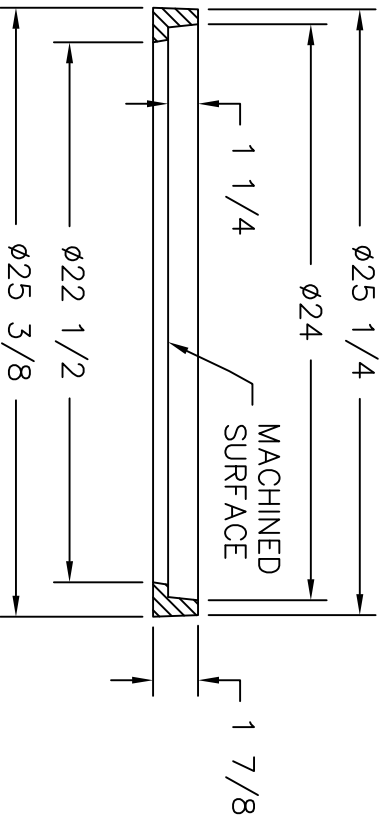


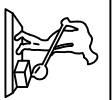
(2) NON-PENETRATING  
PICKHOLES.



SECTION A-A  
(H\_Cover)



SECTION B-B  
(1190\_Ring)



**US FOUNDRY & MFG. CORP.**  
8351 NW 93rd Street, Medley, FL 33166-2025  
ph: 1-800-432-9709; fax: 305-887-9429  
www.usfoundry.com  
© 2010 US Foundry & Mfg. Corp. All Rights Reserved

**USF 1190 RING & H COVER**

LOAD CLASSIFICATION: Heavy Duty

MATERIAL: ASTM-A48 GRAY IRON CLASS35B

Ring No: 8020067 WGT: 40 SCALE: 1/8"=1"

Cover No: 150 DATE:

DRN. BY: I/VN

UNLESS OTHERWISE NOTED WEIGHT IS IN POUNDS AND APPROXIMATED

REV: DATE: REV BY: QUOTE#