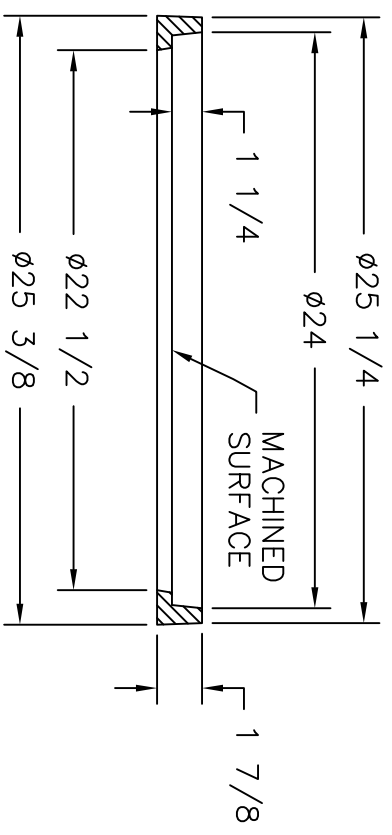
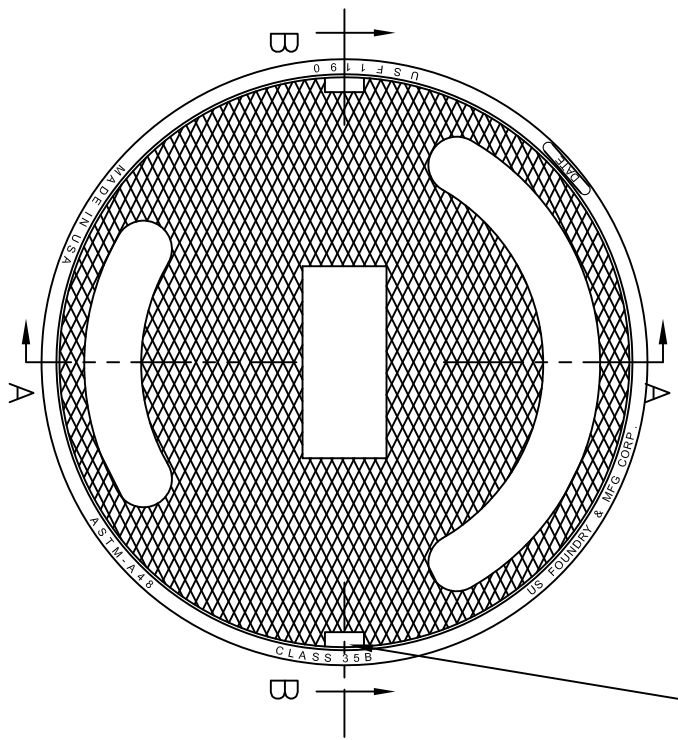
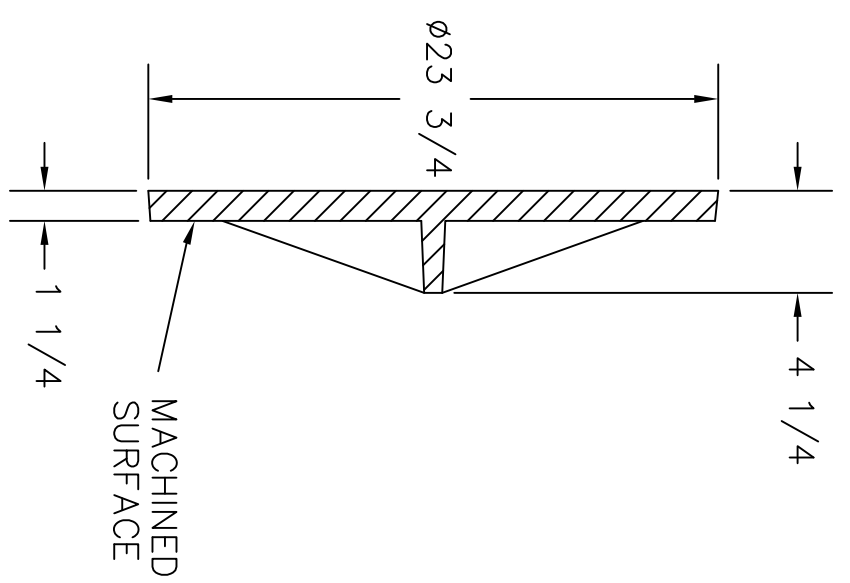


NON PENETRATING PICKHOLES



SECTION B-B
(1190_Ring)



SECTION A-A
(F_Cover)

US FOUNDRY & MFG. CORP.
 8351 NW 93rd Street, Medley, FL 33166-2025
 ph: 1-800-432-9709; fax: 305-887-9429
 www.usfoundry.com
 © 2010 US Foundry & Mfg. Corp. All Rights Reserved

USF 1190 RING & F COVER

LOAD CLASSIFICATION: Heavy Duty	
MATERIAL: ASTM-A48 GRAY IRON CLASS35B	
Ring No: 8020067	WGHT: 40
Cover No: 145	SCALE: 1/8"=1"
	DATE:
	DRN. BY: IVN
UNLESS OTHERWISE NOTED WEIGHT IS IN POUNDS AND APPROXIMATED	
REV:	DATE:
REV BY:	QUOTE#