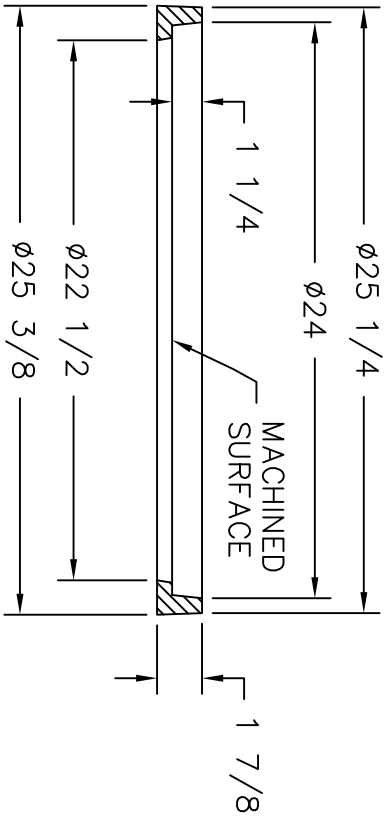
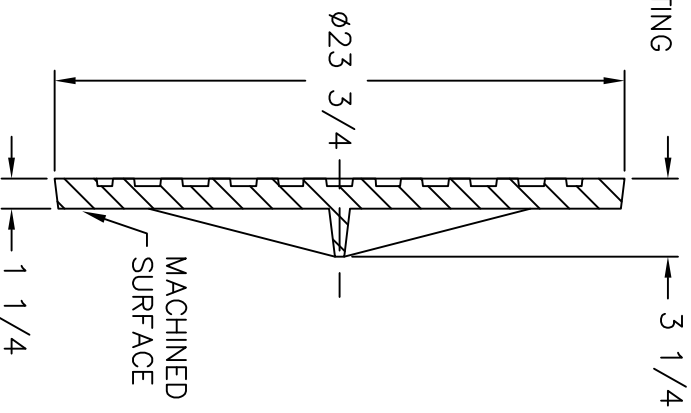



2 NON-PENETRATING PICK-HOLES



SECTION B-B
(1190_Ring)

 <p>US FOUNDRY & MFG. CORP. 8351 NW 93rd Street, Medley, FL 33166-2025 ph: 1-800-432-9709; fax: 305-887-9429 www.usfoundry.com</p> <p>© 2010 US Foundry & Mfg. Corp. All Rights Reserved</p> <p>USF 1190 RING & E COVER</p>			
LOAD CLASSIFICATION:	Heavy Duty		
MATERIAL:	ASTM-A48 GRAY IRON	CLASS	35B
Ring No:	8020067	WGHT:	40
Cover No:		SCALE:	1/8"=1"
		DATE:	130
		DRN. BY:	ULS
UNLESS OTHERWISE NOTED WEIGHT IS IN POUNDS AND APPROXIMATED			
REV:	DATE:	REV BY:	QUOTE#