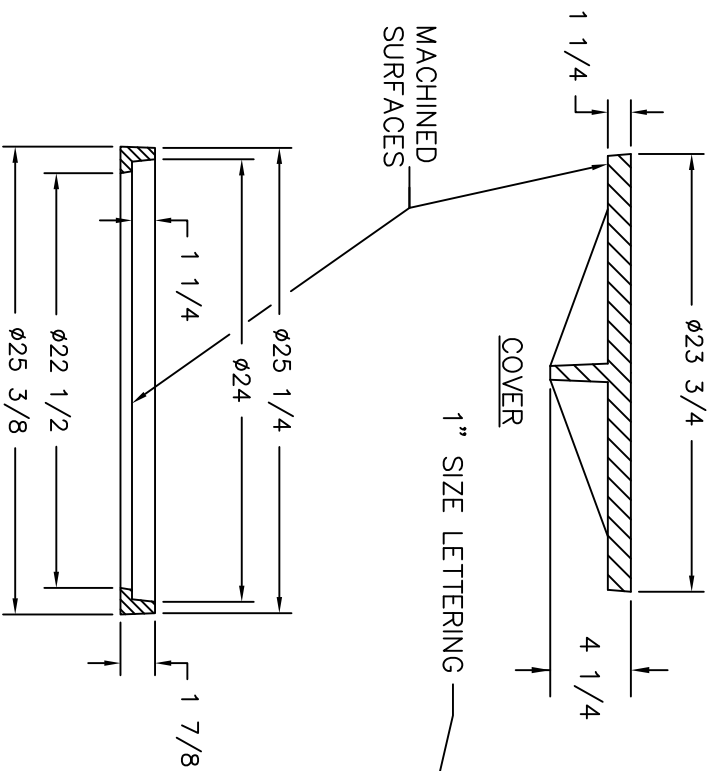
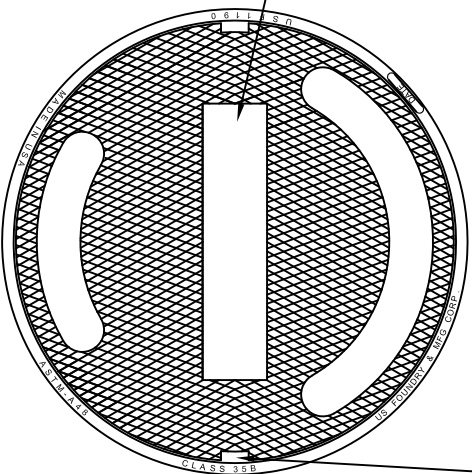


2 NON PENETRATING PICKHOLES



1" SIZE LETTERING



RING

US FOUNDRY & MFG. CORP.  
 8351 NW 93rd Street, Medley, FL 33166-2025  
 ph: 1-800-432-9700- fax: 305-887-2429  
 www.usfoundry.com  
 © 2010 US Foundry & Mfg. Corp. All Rights Reserved

USF 1190 RING & CE COVER

LOAD CLASSIFICATION: Heavy Duty

MATERIAL: ASTM-A48 GRAY IRON CLASS35B  
 Ring No: 8020067 WGT: 40 SCALE: 1/8"=1"  
 Cover No: 145 DATE:

UNLESS OTHERWISE NOTED WEIGHTS IN POUNDS AND APPROXIMATE  
 REV: DATE: REV BY: QUOTE#