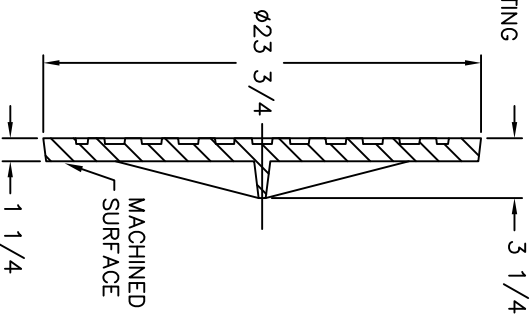


2 NON-PENETRATING PICK-HOLES



SECTION A-A

US FOUNDRY & MFG. CORP.
 8351 NW 93rd Street, Medley, FL 33166-2025
 ph: 1-800-432-9700- fax: 305-887-9429
 www.usfoundry.com
 © 2010 US Foundry & Mfg. Corp. All Rights Reserved

USF 1182 RING & E COVER

LOAD CLASSIFICATION: Heavy Duty	
MATERIAL: ASTM-A48 GRAY IRON CLASS35B	SCALE: 1/8"=1"
Ring No: 8020013	WEIGHT: 145
Cover No: 130	DATE:
DESIGNED BY: DBB	DATE:
UNLESS OTHERWISE NOTED WEIGHTS IN POUNDS AND APPROXIMATED	QUOTE#
REV: DATE:	REV BY: