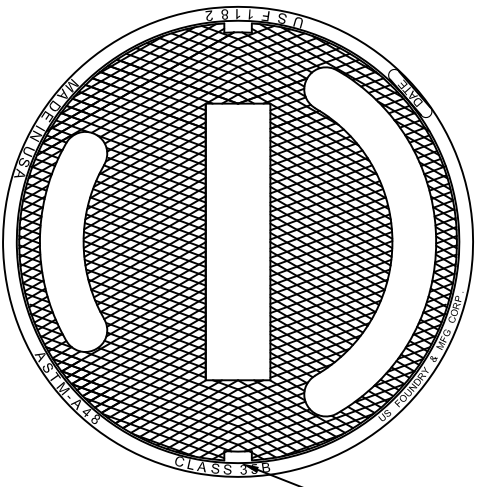
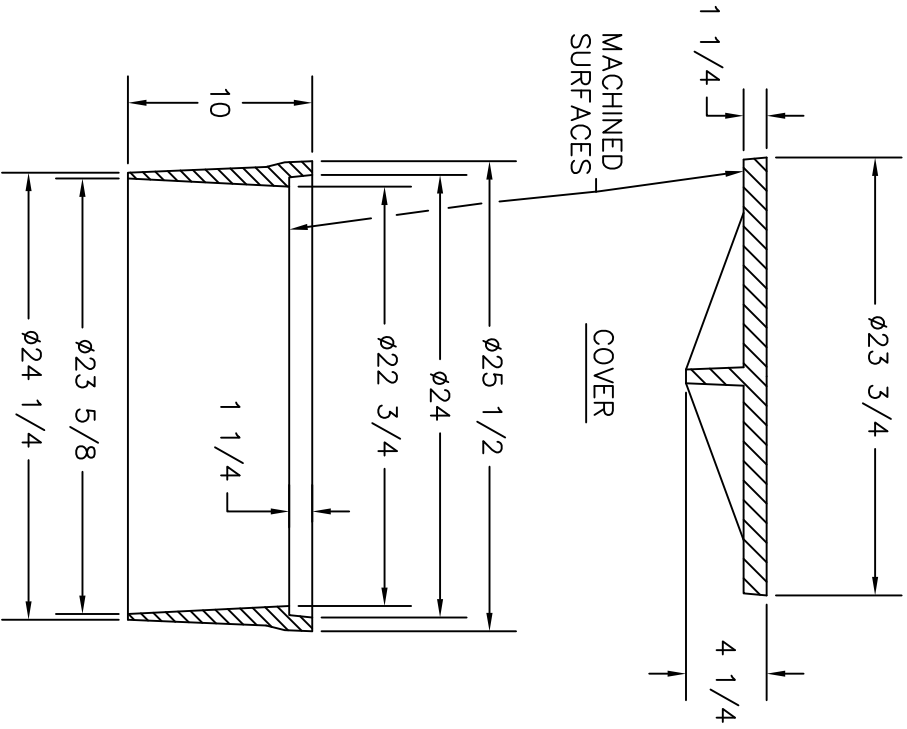



2 NON PENETRATING PICKHOLES




US FOUNDRY & MFG. CORP.
 8351 NW 93rd Street, Medley, FL 33166-2025
 ph: 1-800-432-9709; fax: 305-887-2429
 www.usfoundry.com

USF 1182 RING & CE COVER

LOAD CLASSIFICATION: Heavy Duty

MATERIAL:	ASTM-A48 GRAY IRON CLASS35B
Ring No:	8020013
Weight:	145
Scale:	1/8"=1"
Cover No:	145
DATE:	
DATE:	
DATE:	

UNLESS OTHERWISE NOTED WEIGHTS IN POUNDS AND APPROXIMATED

REV:	DATE:	REV BY:	QUOTE#