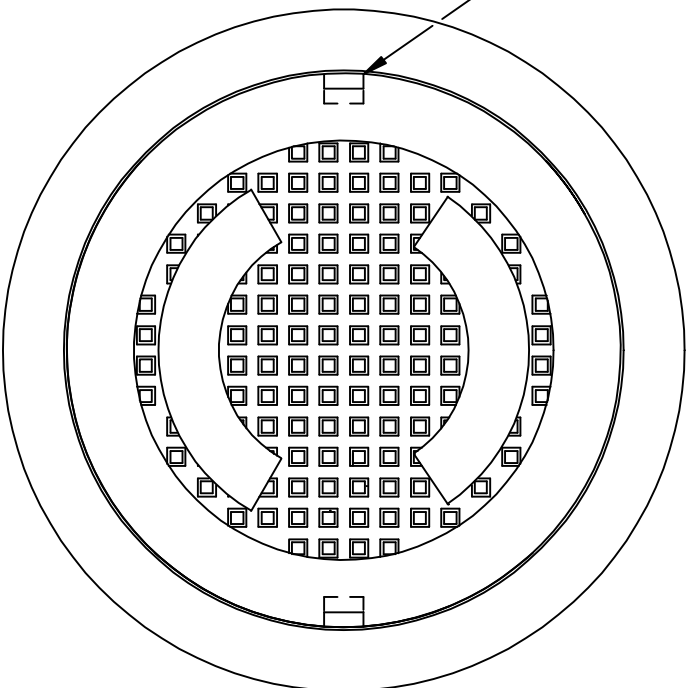
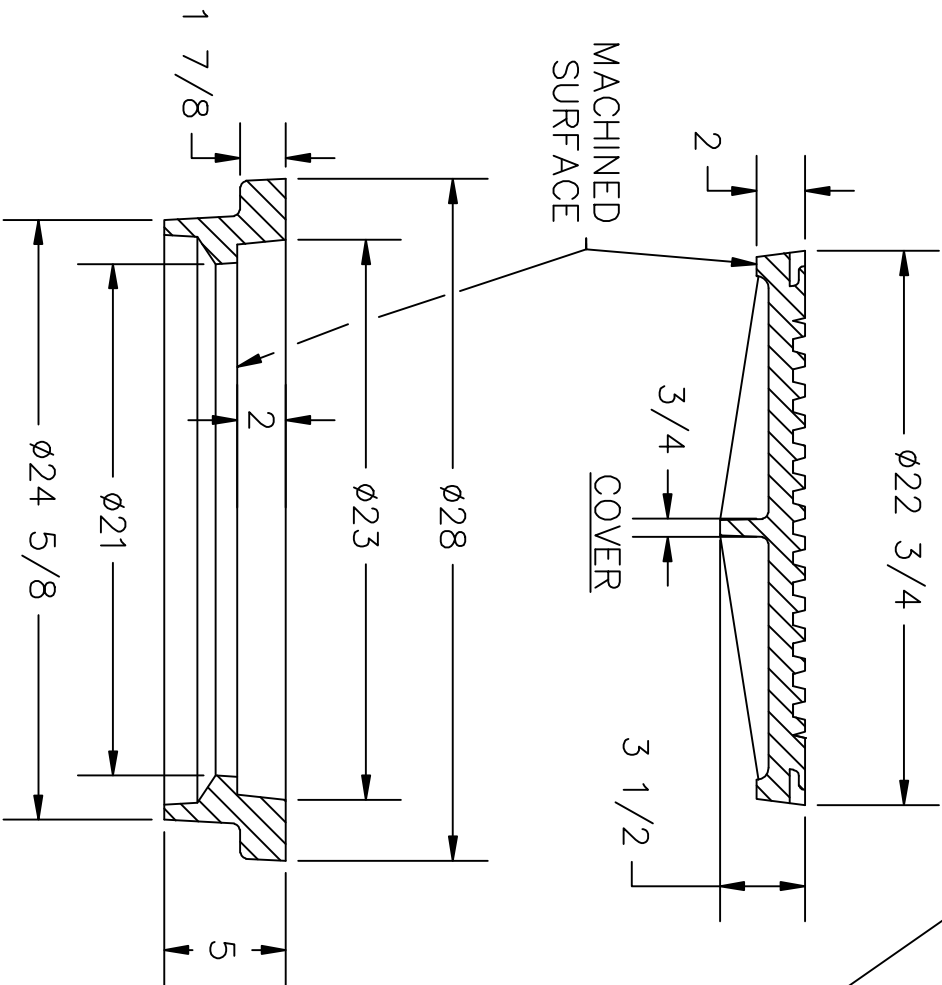


2-NON PENETRATING PICKHOLES



**US FOUNDRY & MFG. CORP.**  
 8351 NW 93rd Street, Medley, FL 33166-2025  
 Ph: 1-800-432-9709; Fax: 305-887-9429  
 www.usfoundry.com  
 © 2010 US Foundry & Mfg. Corp. All Rights Reserved

USF 1125 Ring & B Cover

LOAD CLASSIFICATION: Heavy Duty	
MATERIAL: ASTM-A48 GRAY IRON CLASS35B	
Ring No: 8020122	WGHT: 155
Cover No: 130	SCALE: 1/8"=1"
	DATE: 11-29-10
	DWN. BY: JM/OD
UNLESS OTHERWISE NOTED WEIGHT IS IN POUNDS AND APPROXIMATED	
REV:	DATE: REV BY: QUOTE#