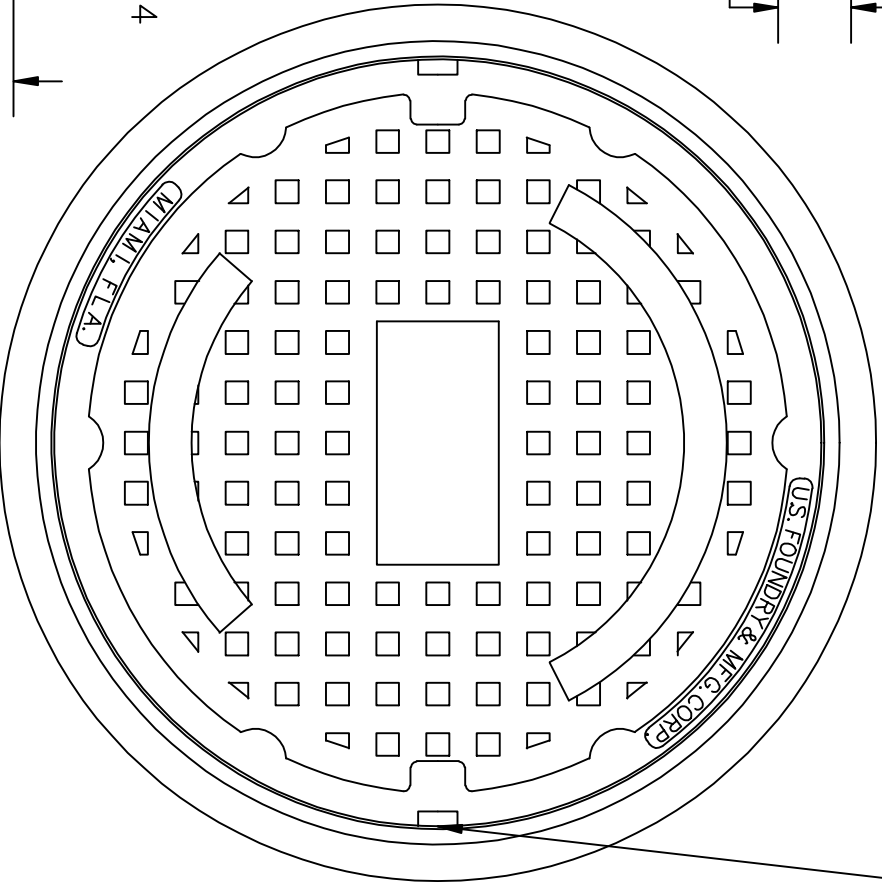
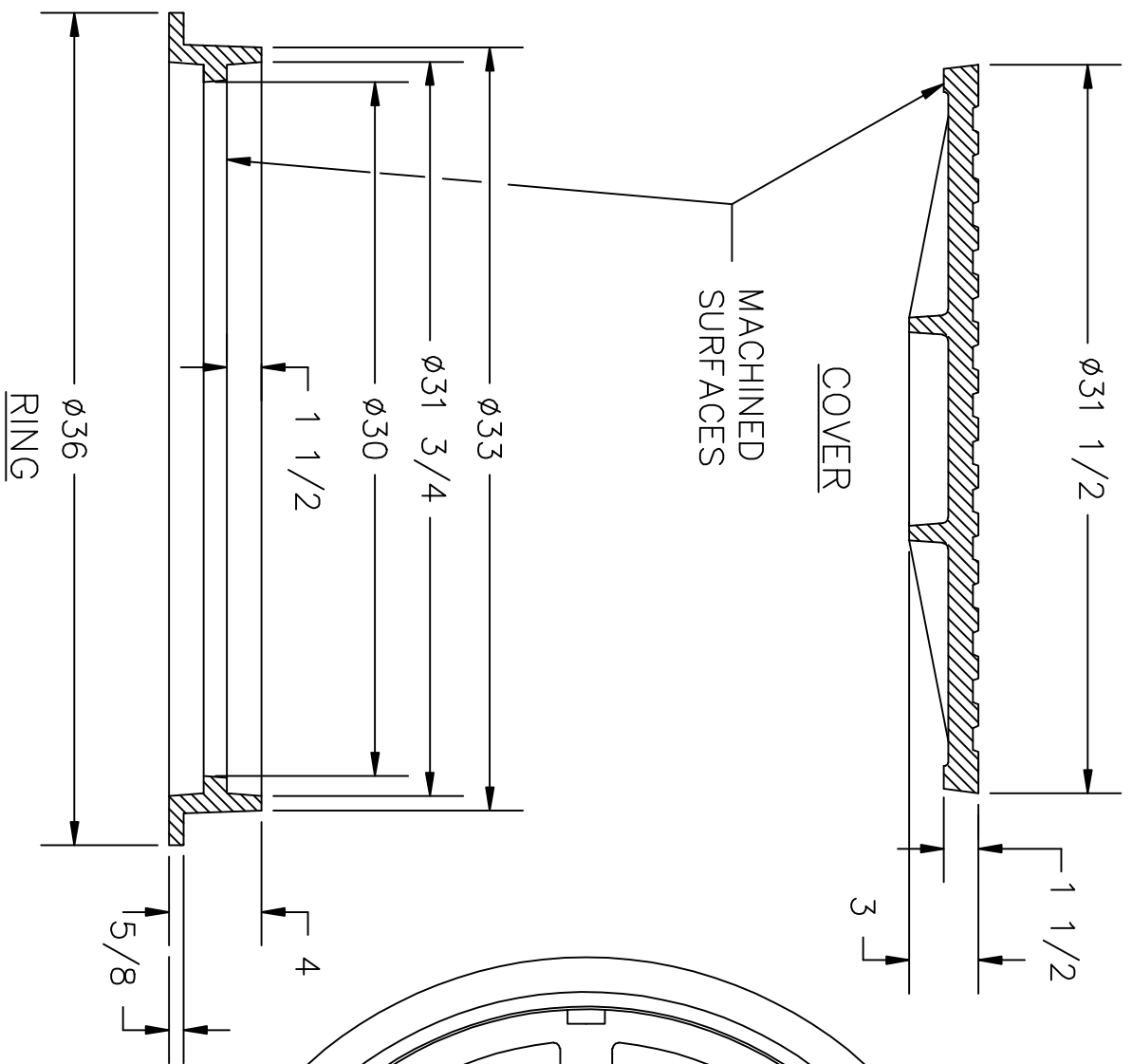


(2) - NON-PENETRATING PICKHOLES



**US FOUNDRY & MFG. CORP.**  
 8351 NW 93rd Street, Medley, FL 33166-2025  
 Ph: 1-800-432-9709; Fax: 305-887-9429  
 www.usfoundry.com  
 © 2010 US Foundry & Mfg. Corp. All Rights Reserved

USF 119 Ring & BM Cover

LOAD CLASSIFICATION: Heavy Duty	
MATERIAL: ASTM-A48 GRAY IRON CLASS35B	
Ring No: 8020035	WGT: 125
Cover No: 265	SCALE: 1/8"=1"
	DATE: 4-30-04
	DRN. BY: JL/ULS
UNLESS OTHERWISE NOTED WEIGHT IS IN POUNDS AND APPROXIMATED	
REV.:	DATE:
REV. BY:	QUOTE#