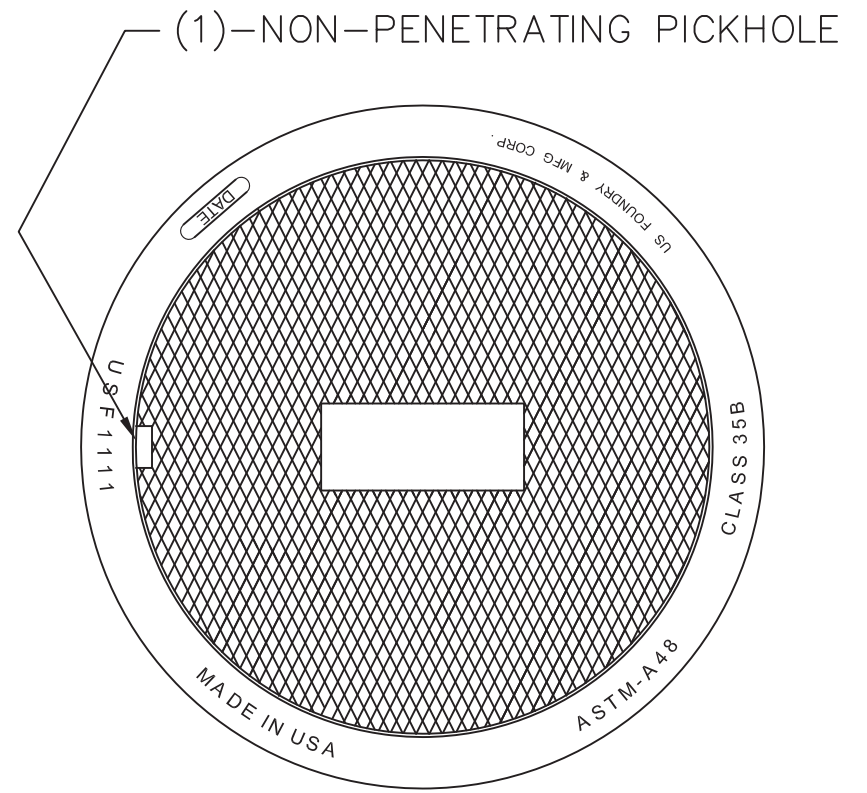
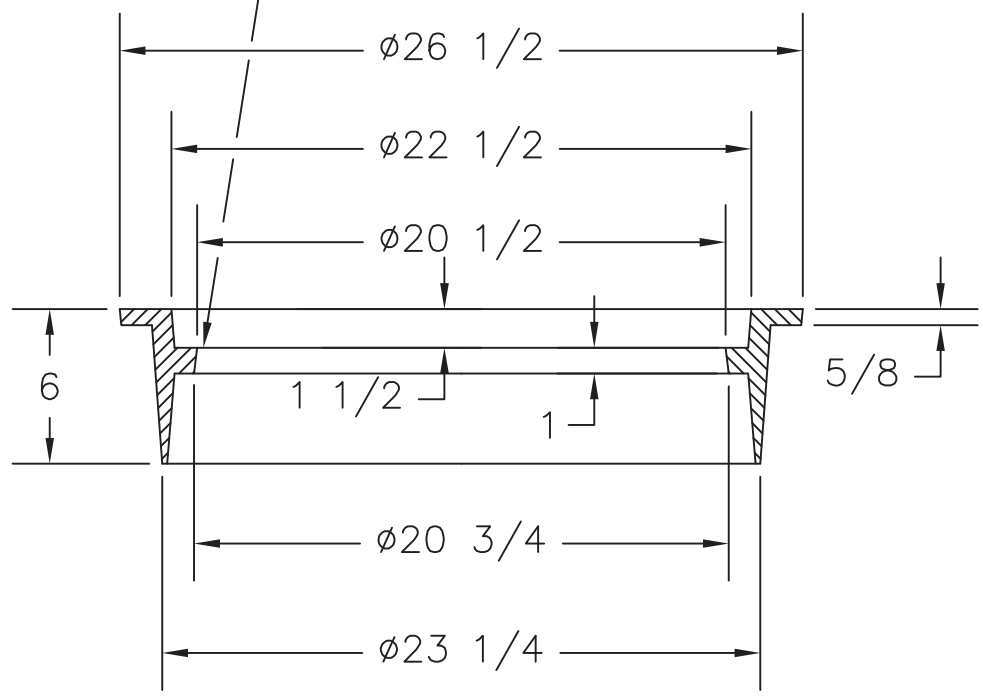



MACHINED SURFACES



 US FOUNDRY & MFG. CORP. 8351 NW 93rd Street, Medley, FL 33166-2025 ph: 1-800-432-9709; fax: 305-887-9429 www.usfoundry.com © 2010 US Foundry & Mfg. Corp. All Rights Reserved			
USF 1111 RING & P COVER			
LOAD CLASSIFICATION:		Light Duty	
MATERIAL: ASTM-A48 GRAY IRON CLASS35B			
Ring No:	8020121	WGHT:	105
Cover No:			90
		SCALE:	1/8"=1"
		DATE:	
		OWN. BY:	IVN
UNLESS OTHERWISE NOTED WEIGHT IS IN POUNDS AND APPROXIMATED			
REV:	DATE:	REV BY:	QUOTE#