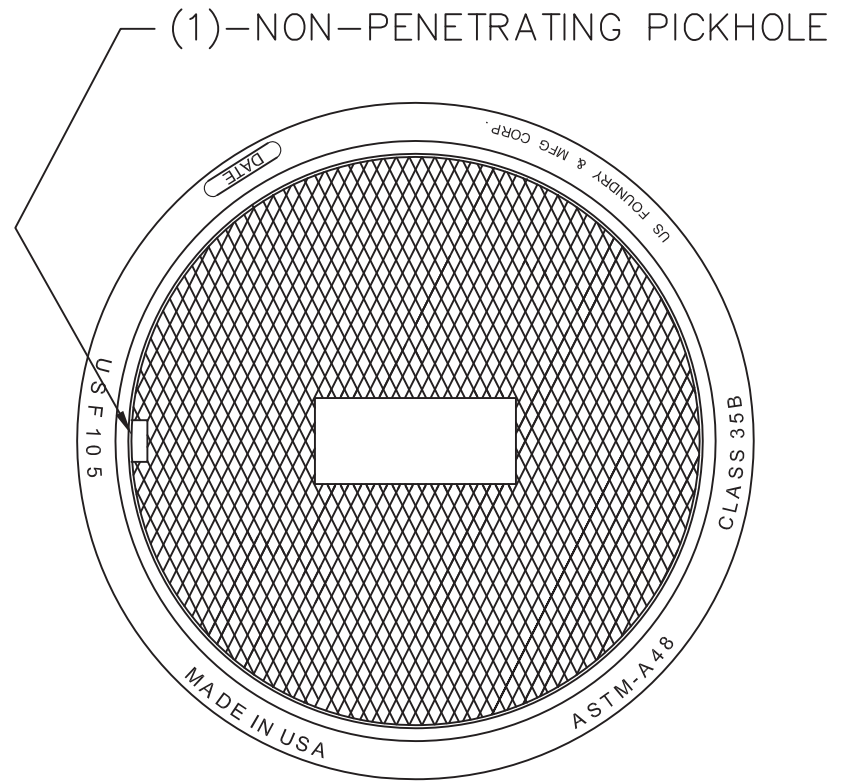
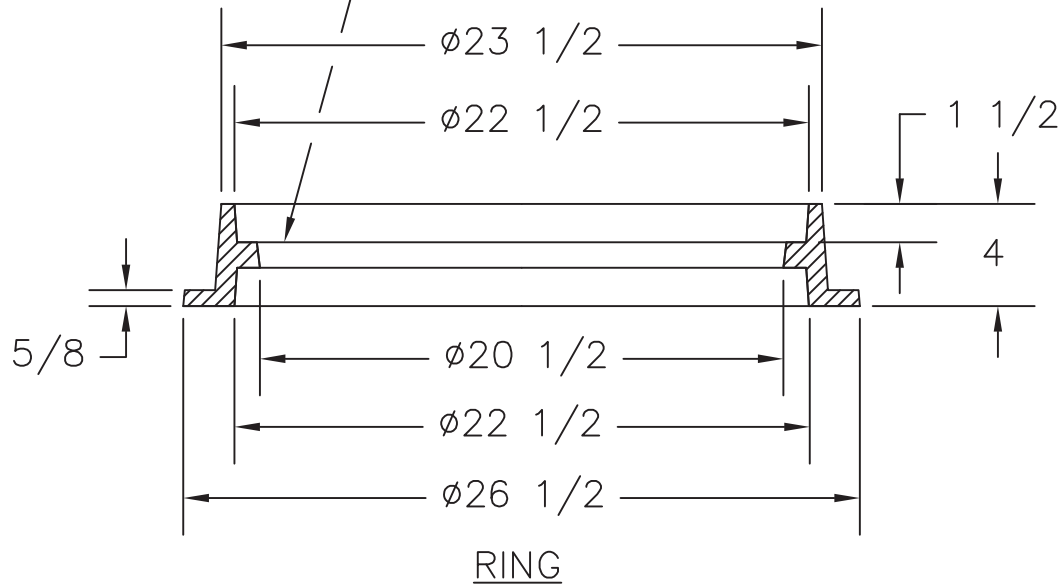


MACHINED SURFACES



US FOUNDRY & MFG. CORP.

8351 NW 93rd Street, Medley, FL 33166-2025
 ph: 1-800-432-9709; fax: 305-887-9429

www.usfoundry.com

© 2010 US Foundry & Mfg. Corp. All Rights Reserved

USF 105 RING & P COVER

LOAD CLASSIFICATION: Light Duty			
MATERIAL: ASTM-A48 GRAY IRON		CLASS35B	
Ring No:	8020006	WGHT:	90
Cover No:			90
			SCALE: 1/8"=1"
			DATE:
			DWN. BY: ULS
UNLESS OTHERWISE NOTED WEIGHT IS IN POUNDS AND APPROXIMATED			
REV:	DATE:	REV BY:	QUOTE#