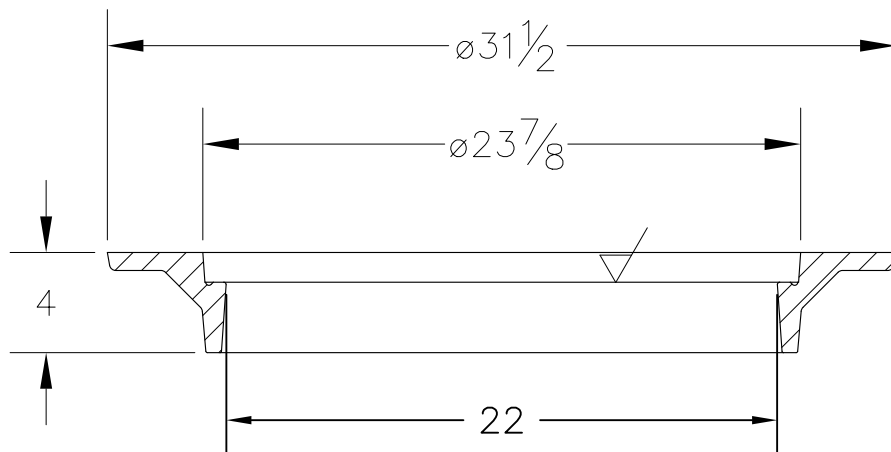
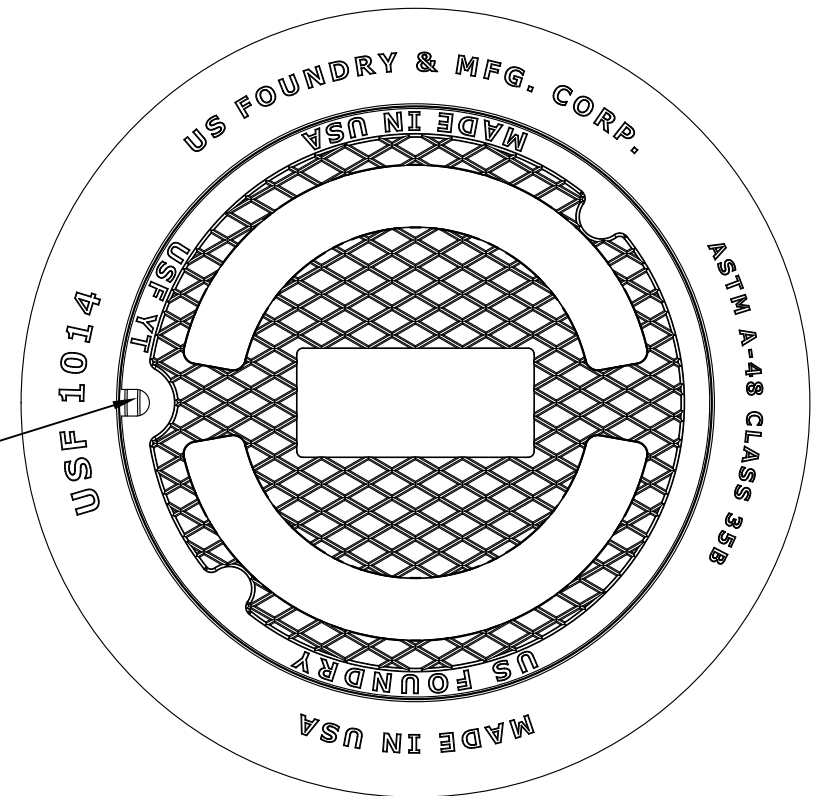


PENETRATING PICKHOLE



 <b>US FOUNDRY &amp; MFG. CORP.</b> 8351 NW 93rd Street, Medley, FL 33166-2025 ph: 1-800-432-9709; fax: 305-887-9429 www.usfoundry.com © 2013 US Foundry & Mfg. Corp. All Rights Reserved			
<b>USF 1014 Ring &amp; YT Cover</b>			
LOAD CLASSIFICATION: Heavy Duty			
MATERIAL: ASTM-A48 GRAY IRON CLASS 35B			
Ring No:	8021600	SCALE:	
Cover No:		DATE: 10/28/2013	
		OWN. BY: AB	
REV: 0	DATE:	REV BY:	QUOTE#