

U.S. FOUNDRY & MFG. CORP.

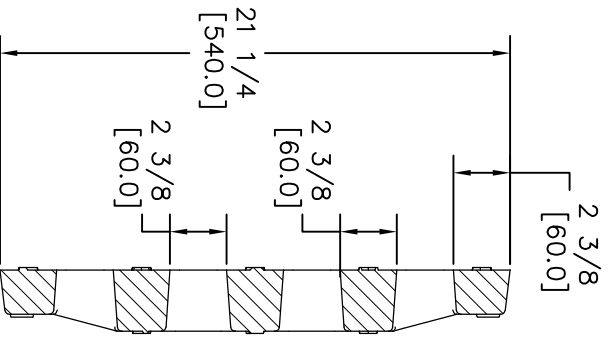
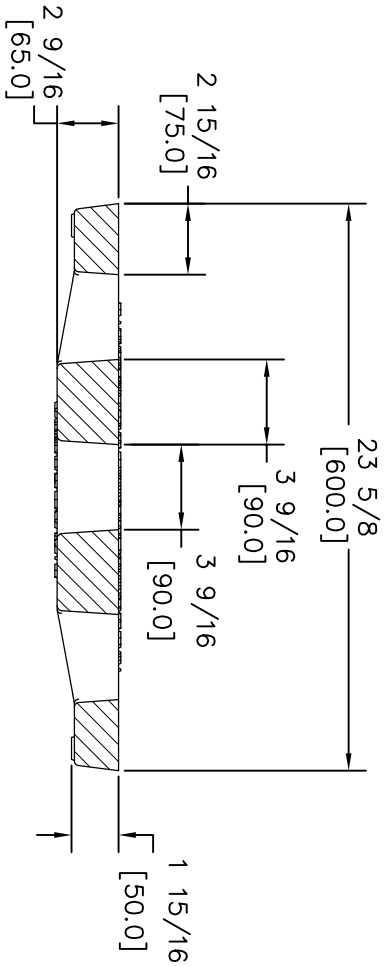
DUMP NO WASTE

DRAINS TO WATERWAYS

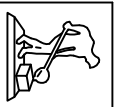
AASHTO M306 CLASS 35B

MADE IN U.S.A. USF 6321

MM/DD/YYYY



Note:
1-Grate Weight: 95 Kg- 210 Lbs


U.S. FOUNDRY & MFG. CORP.
 8351 NW 93rd Street, Medley, FL 33166-2025
 ph: 1-800-432-9709; fax: 305-887-9429
 www.usfoundry.com
 © 2011 US Foundry & Mfg. Corp. All Rights Reserved

USF 6321 Grate

LOAD CLASSIFICATION: Heavy Duty	FLOW AREA=99(in ²)
MATERIAL: ASTM-A48 GRAY IRON	CLASS35B
Grate No: 8070174	WGHT: 1/8"=1"
SCALE: 1/8"=1"	DATE: 05-13-11
UNLESS OTHERWISE NOTED WEIGHT IS IN POUNDS AND APPROXIMATED	DRN. BY: ULS
REV: 0	DATE: 00-00-00
REV BY:	QUOTE#