

U.S. FOUNDRY & MFG. CORP.

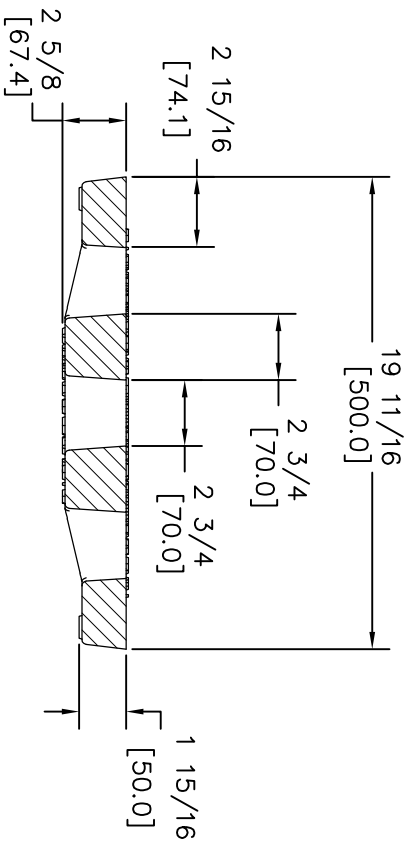
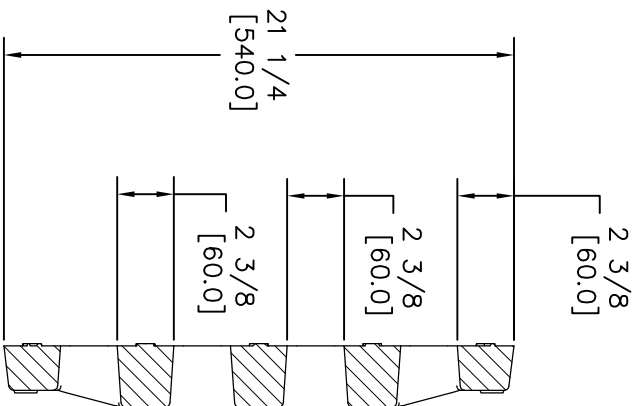
DUMP NO WASTE

DRAINS TO WATERWAYS


AASHTO M306 CLASS 35B

MADE IN U.S.A. USF 6320

(mm/dd/yyyy)



Note:  
1- Grate Weight: 75 Kg- 175 Lbs

  
**US FOUNDRY & MFG. CORP.**  
 8351 NW 93rd Street, Medley, FL 33166-2025  
 ph: 1-800-432-9709; fax: 305-887-9429  
 www.usfoundry.com  
 © 2011 US Foundry & Mfg. Corp. All Rights Reserved

**USF 6320 Grate**

LOAD CLASSIFICATION: Heavy Duty	FLOW AREA=77(in <sup>2</sup> )
MATERIAL: ASTM-A48 GRAY IRON	CLASS35B
Grate No: 8070173	WGHT:
DATE: 05-13-11	SCALE: 1/8"=1"
DRN. BY: ULS	
UNLESS OTHERWISE NOTED WEIGHT IS IN POUNDS AND APPROXIMATED	
REV: 0	DATE: 00-00-00
REV BY:	QUOTE#