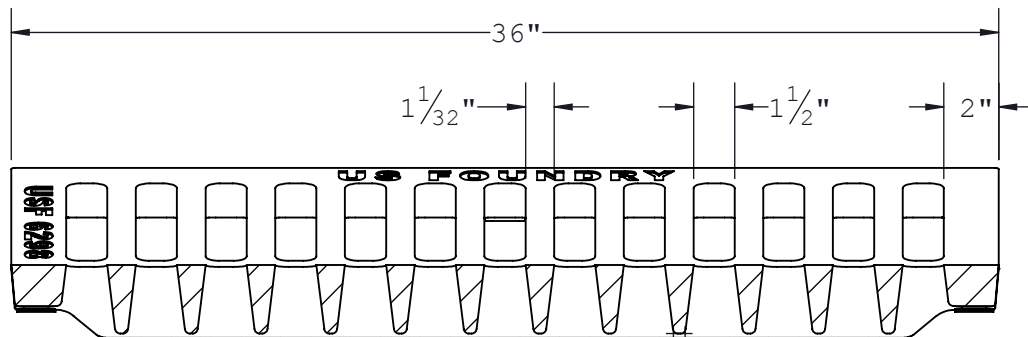
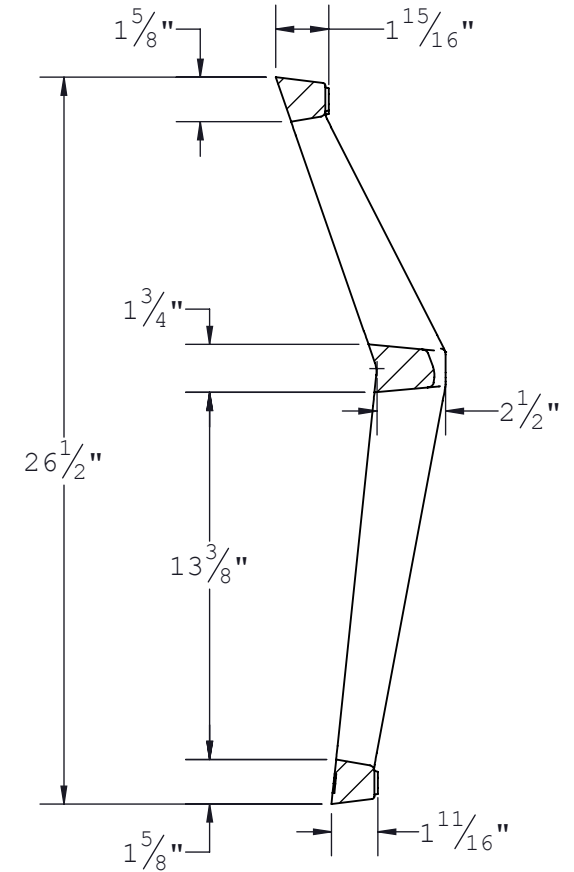
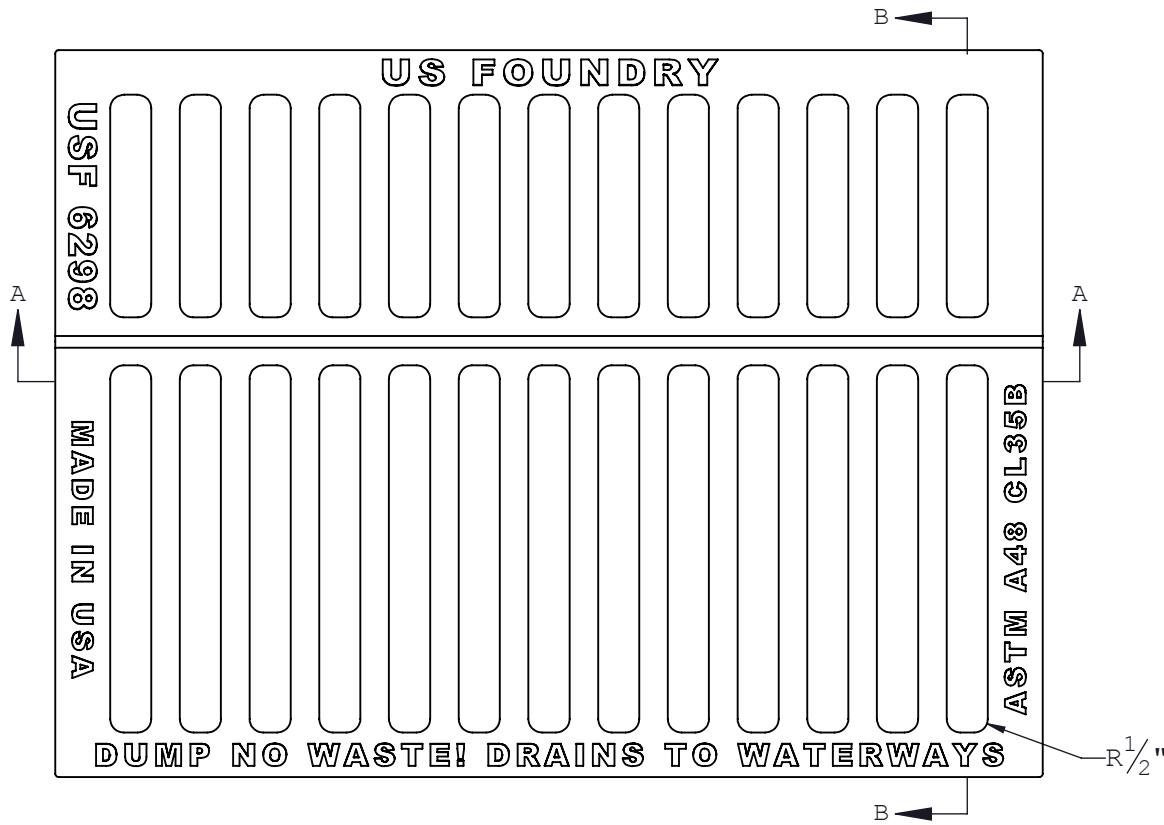


THE INFORMATION CONTAINED IN THIS DRAWING IS THE SOLE PROPERTY OF U.S. FOUNDRY & MANUFACTURING CORP. ANY REPRODUCTION IN PART OR AS A WHOLE WITHOUT THE WRITTEN PERMISSION OF U.S. FOUNDRY & MANUFACTURING CORP. IS PROHIBITED. U.S. FOUNDRY & MANUFACTURING CORP. RESERVES THE RIGHT TO MAKE MODIFICATIONS TO DESIGN WITHOUT PRIOR NOTICE. DRAWING IS UNCONTROLLED WHEN PRINTED. WEIGHTS AND DIMENSIONS ARE PROVIDED FOR REFERENCE ONLY © 2015 US FOUNDRY AN EAGLE MANUFACTURING COMPANY

SECTION B-B



SECTION A-A

8351 NW 93rd Street  
 Medley, FL, 33166-2025  
 ph: 1-800-432-9709  
 fax: 305-887-9429  
 www.usfoundry.com  
 AN EAGLE MANUFACTURING COMPANY © 2015 All Rights Reserved

**USF 6298 Grate**

LOAD CLASSIFICATION:	Heavy Duty	FLOW AREA:	424.5
MATERIAL:	Gray Cast Iron	ASTM A-48 Class 35B	
ITEM:	BAAN #	DRAWING	USF 6298
Grate	8076798	DATE	9/24/2014
		DRAWN BY	ULS/OD
REV	0	DATE	REV BY
			QUOTE #
			4149

Customer Drawing