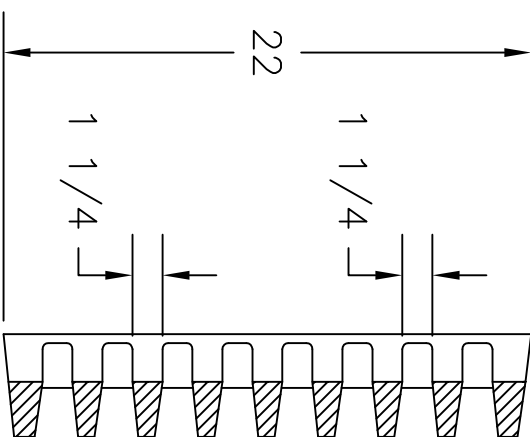
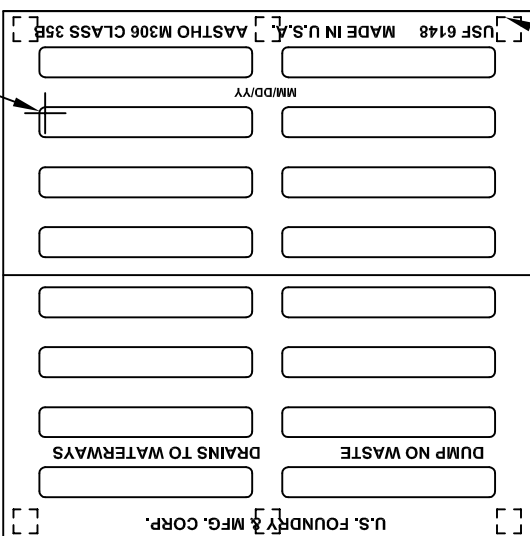
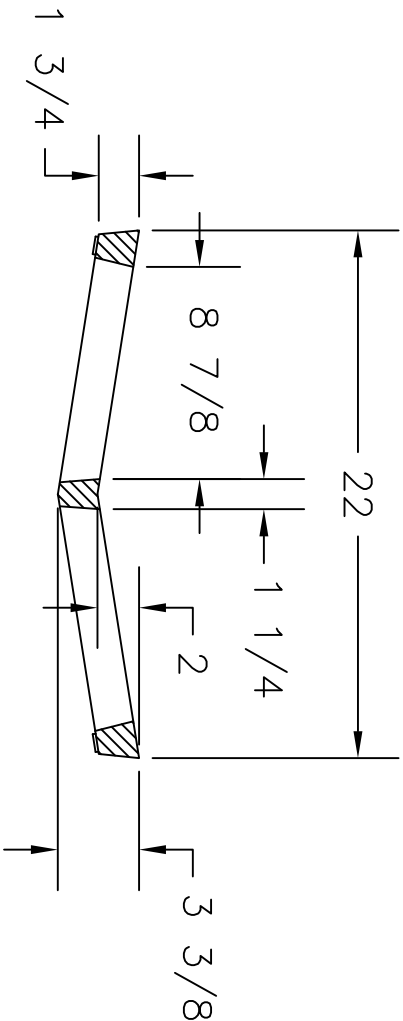


(6) - 1" x 1" x 1/8" LEVELING PADS



R1/4



U.S. FOUNDRY & MFG. CORP.
 8351 NW 93rd Street, Medley, FL 33166-2025
 ph: 1-800-432-9709; fax: 305-887-9429
 www.usfoundry.com
 © 2010 US Foundry & Mfg. Corp. All Rights Reserved

USF 6148 Grate

LOAD CLASSIFICATION: Heavy Duty

MATERIAL: ASTM-A48 GRAY IRON CLASS35B

Grate No:	8070076	WGHT:	120	SCALE:	1/8"=1"
		DATE:	04-04-11		
		DRN. BY:	ULS		

UNLESS OTHERWISE NOTED WEIGHT IS IN POUNDS AND APPROXIMATED

REV: DATE: REV BY: QUOTE#