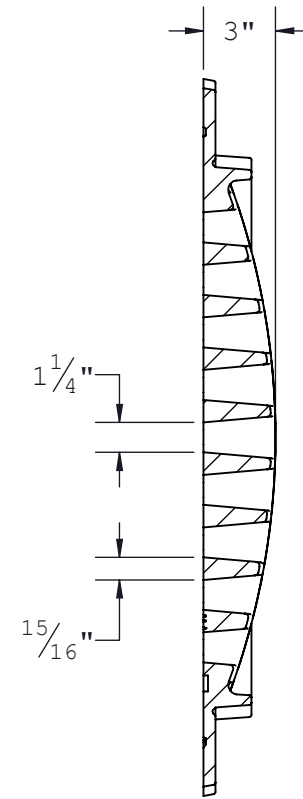
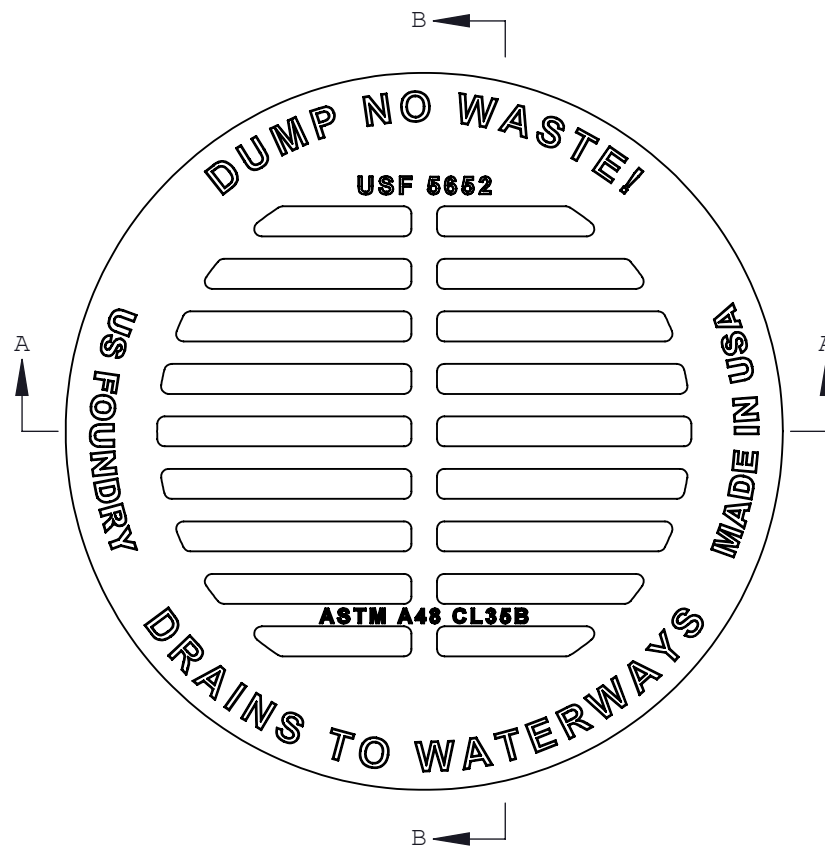
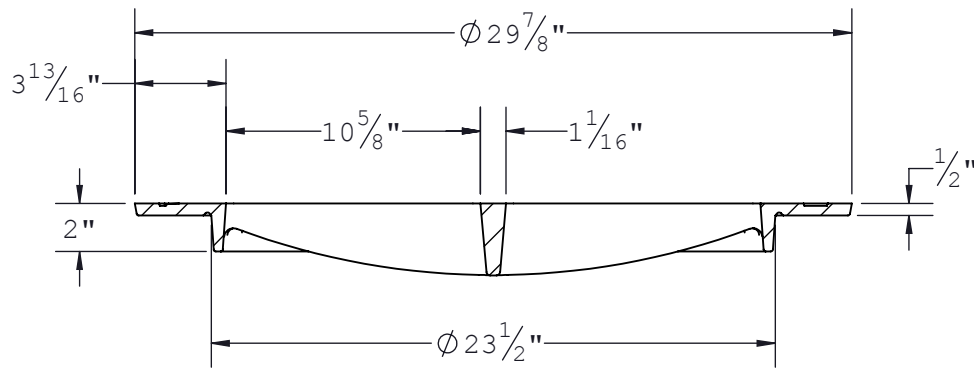


THE INFORMATION CONTAINED IN THIS DRAWING IS THE SOLE PROPERTY OF U.S. FOUNDRY & MANUFACTURING CORP. ANY REPRODUCTION IN PART OR AS A WHOLE WITHOUT THE WRITTEN PERMISSION OF U.S. FOUNDRY & MANUFACTURING CORP. IS PROHIBITED. U.S. FOUNDRY & MANUFACTURING CORP. RESERVES THE RIGHT TO MAKE MODIFICATIONS TO DESIGN WITHOUT PRIOR NOTICE. DRAWING IS UNCONTROLLED WHEN PRINTED. WEIGHTS AND DIMENSIONS ARE PROVIDED FOR REFERENCE ONLY © 2014 US FOUNDRY AN EAGLE MANUFACTURING COMPANY



SECTION B-B



SECTION A-A

8351 NW 93rd Street
 Medley, FL, 33166-2025
 ph: 1-800-432-9709
 fax: 305-887-9429
 www.usfoundry.com
 AN EAGLE MANUFACTURING COMPANY © 2014 All Rights Reserved

USF 5652 Round Grate

LOAD CLASSIFICATION:	Heavy Duty	FLOW AREA:	198.5in ²
MATERIAL:	Gray Cast Iron	AASHTO-M306 Class 35B	
ITEM:	BAAN #	DRAWING	USF 5652
Grate	8077099	DATE	3/19/2014
		DRAWN BY	OD
REV	0	DATE	REV BY
		QUOTE #	4104

Customer Drawing