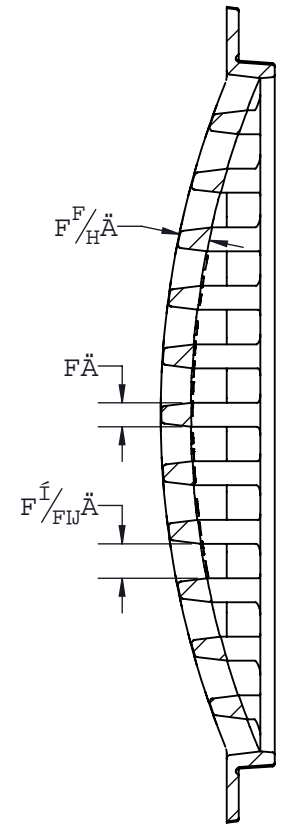
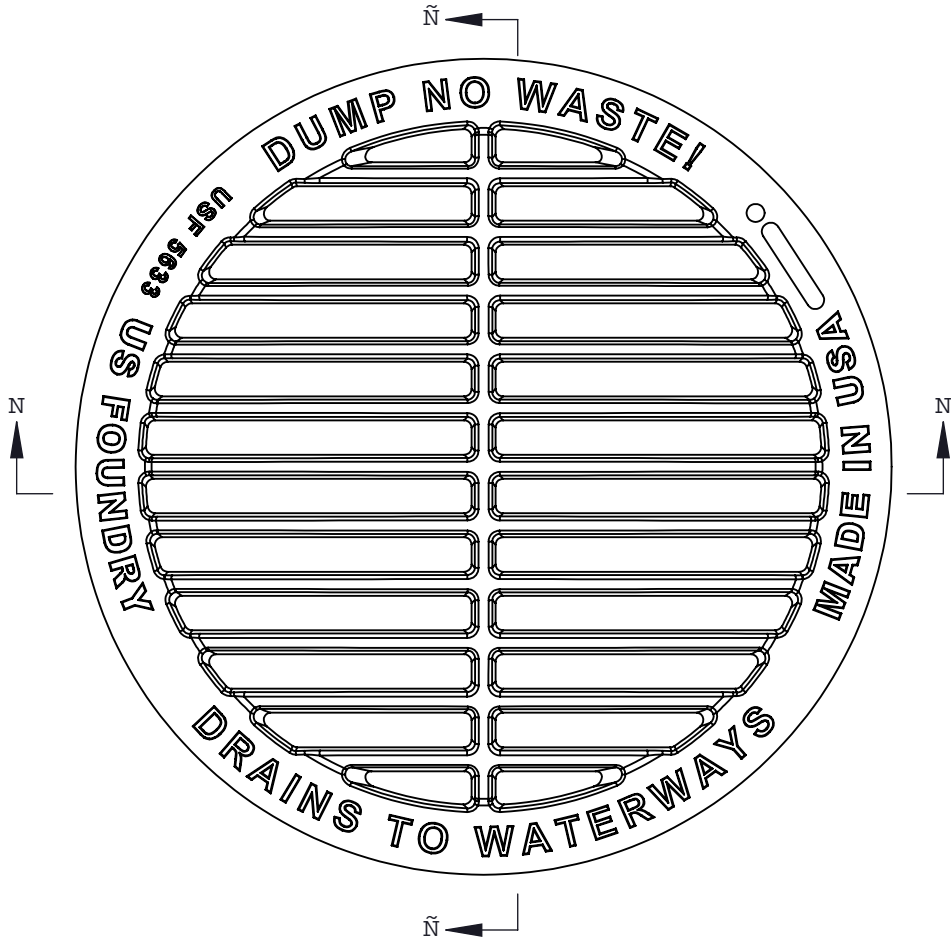
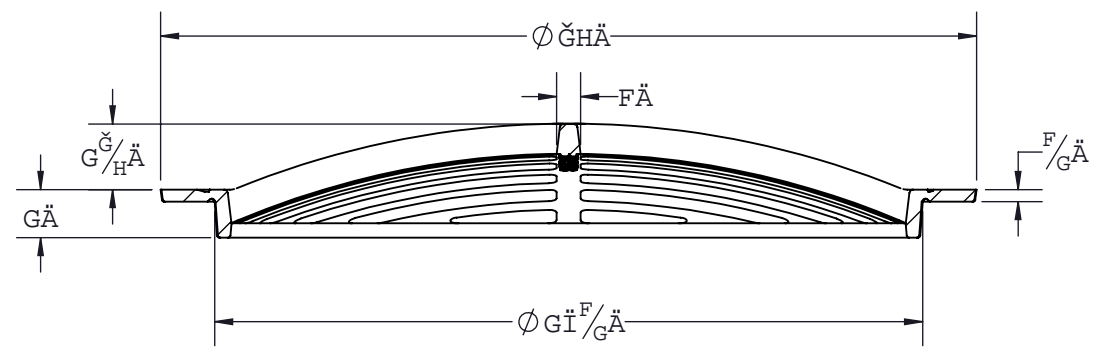


H:9B:CFA5HC B7CBH5B98 B H:68F5K B: 4GH:9GC@DFCD9FHC: 1'G':C1B8FM' A5BI:57HF B: 7CFD'5BMF9DFC8I7HC B B D5FH
 CF5G5 K <C@K H:C1HH:9K F#H9B D9FA 4GCBC: 1'G':C1B8FM' A5BI:57HF B: 7CFD'6DFC <6+98'1'G':C1B8FM' A5BI:57HF B:
 7CFD'F90FJ 9GH:9F# <HC A579A C8#75HC BGHC 89G# B K H:C1HDFCFBCH7 9'8F5K B: 4I B7CBHC@98 K <9B DF#H98'K 9# <HG
 5B8 8A 9BGC BG5F9DFCJ 498:CF F9.9F9B79CB@M# &S%(1'G':C1B8FM5B'95; @A5BI:57HF B: 7CAD5BM



UÓÓÚØŠŠÁÑĚŇ



UÓÓÚØŠŠÁÑĚŇ

US FOUNDRY
 AN EAGLE MANUFACTURING COMPANY

I G: ') * ' ' '6YY\ Jj Y ; fUHY

© 58 7 6GG# 7 5HC B.		J gcx{ 'F w{	: © K ' 5F95.	586054'lp
A 5H9F 5@		I tc{ 'Ecuw'Kqp CUVO 'C/6: 'Encu'57D		
#PA.	655B'	8F5K B:	WUH7855	
: fUHY	: 2992; :	85H9	5B94236	
		8F5K B'6M	QF	
F9J	2 85FH	F9J 6M	E1CH9.	6325

71 gftca Yf.8fuk Jbl