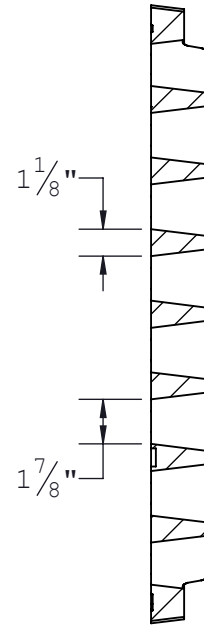
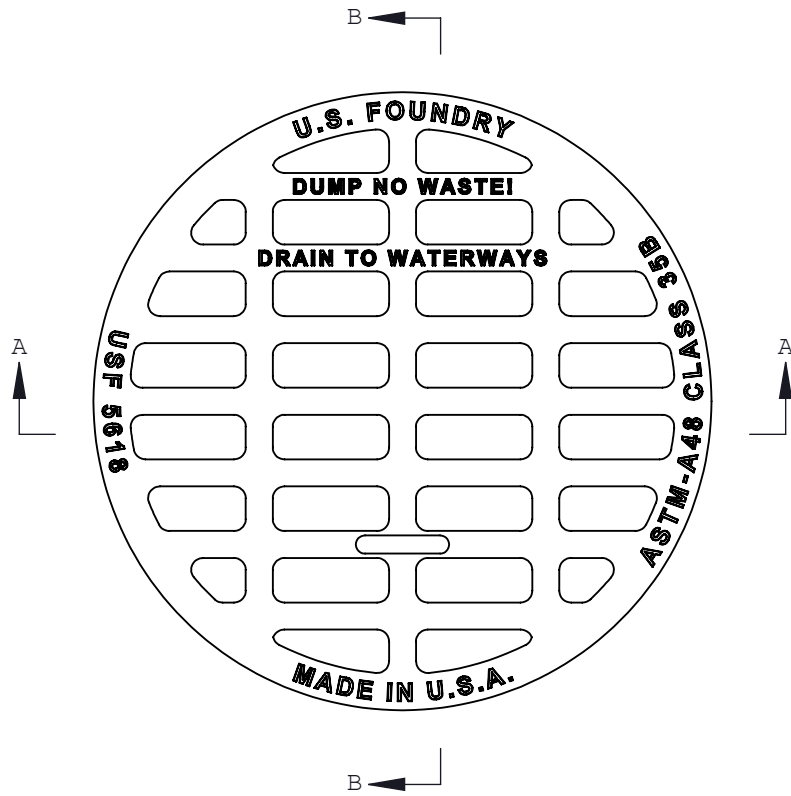
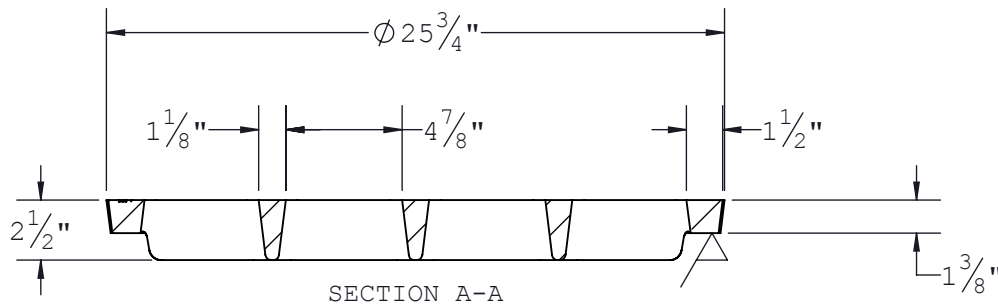
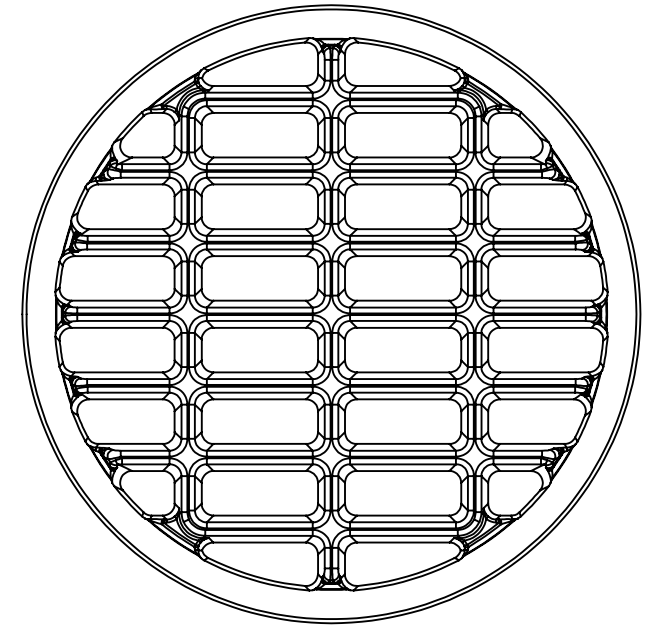


THE INFORMATION CONTAINED IN THIS DRAWING IS THE SOLE PROPERTY OF U.S. FOUNDRY & MANUFACTURING CORP. ANY REPRODUCTION IN PART OR AS A WHOLE WITHOUT THE WRITTEN PERMISSION OF U.S. FOUNDRY & MANUFACTURING CORP. IS PROHIBITED. U.S. FOUNDRY & MANUFACTURING CORP. RESERVES THE RIGHT TO MAKE MODIFICATIONS TO DESIGN WITHOUT PRIOR NOTICE. DRAWING IS UNCONTROLLED WHEN PRINTED. WEIGHTS AND DIMENSIONS ARE PROVIDED FOR REFERENCE ONLY © 2012 U.S. Foundry & Mfg. Corp. All Rights Reserved



SECTION B-B



SECTION A-A



U.S. FOUNDRY & MFG. CORP.
 8351 NW 93rd Street, Medley, FL, 33166-2025
 ph: 1-800-432-9709; fax: 305-887-9429
 www.usfoundry.com

© 2013 U.S. Foundry & Mfg. Corp. All Rights Reserved

USF 5618 Round Grate

LOAD CLASSIFICATION:	Heavy Duty	FLOW AREA:	207.5 in ²
MATERIAL:	Gray Cast Iron ASTM-A48 Class 35B		
ITEM:	BAAN #	DRAWING	
Grate	8076981	USF 5618	
		DATE	
		04-10-2013	
		DRAWN BY	
		ULS	
REV	A	DATE	04-18-2013
		REV BY	ULS
		QUOTE #	3818