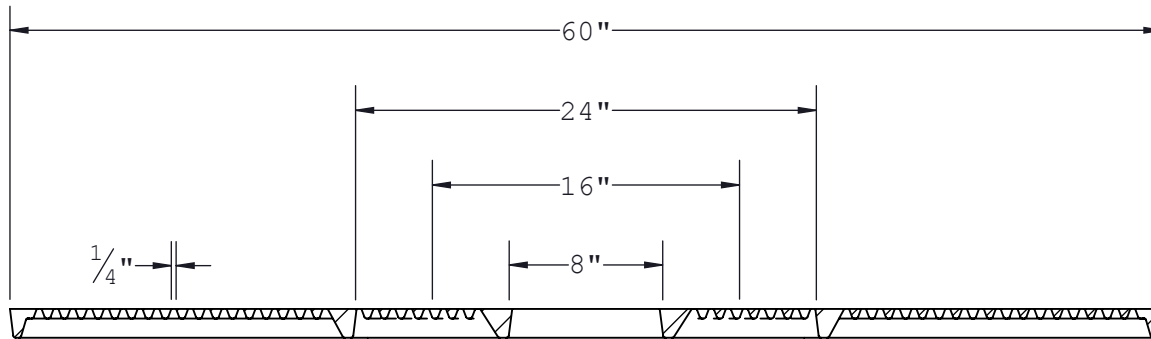
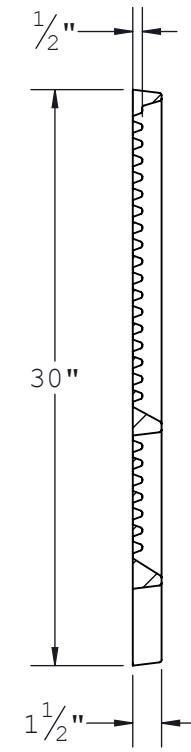
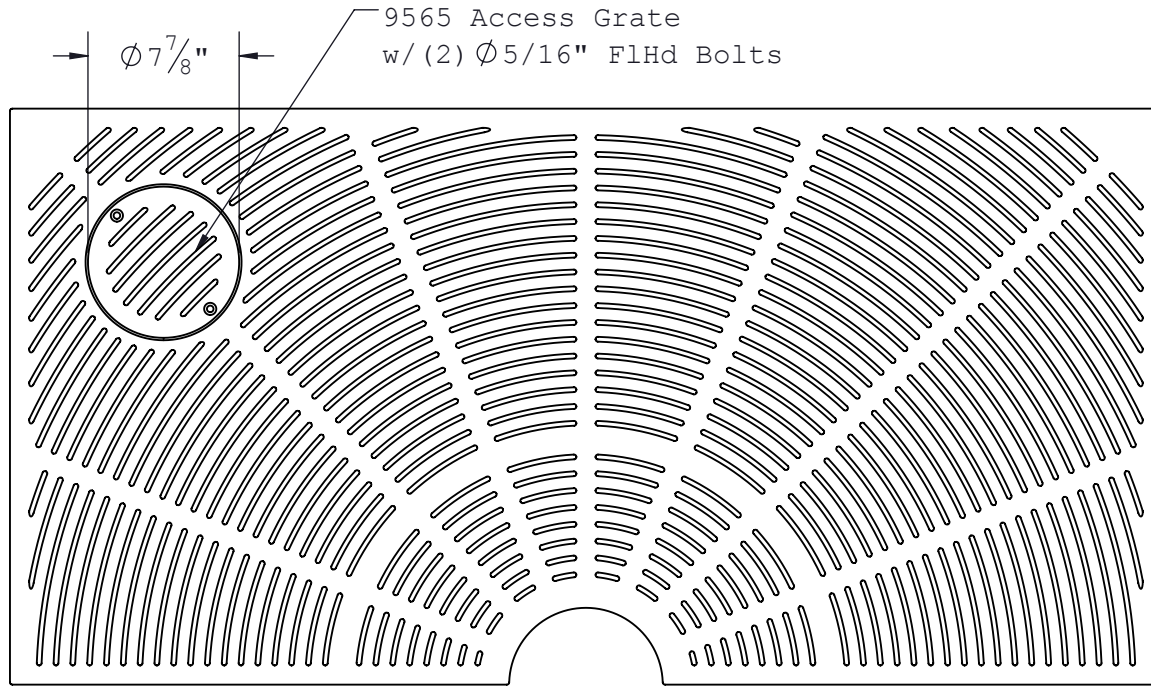


THE INFORMATION CONTAINED IN THIS DRAWING IS THE SOLE PROPERTY OF U.S. FOUNDRY & MANUFACTURING CORP. ANY REPRODUCTION IN PART OR AS A WHOLE WITHOUT THE WRITTEN PERMISSION OF U.S. FOUNDRY & MANUFACTURING CORP. IS PROHIBITED. U.S. FOUNDRY & MANUFACTURING CORP. RESERVES THE RIGHT TO MAKE MODIFICATIONS TO DESIGN WITHOUT PRIOR NOTICE. DRAWING IS UNCONTROLLED WHEN PRINTED. WEIGHTS AND DIMENSIONS ARE PROVIDED FOR REFERENCE ONLY © US FOUNDRY AN EAGLE MANUFACTURING COMPANY



**US FOUNDRY**  
AN EAGLE MANUFACTURING COMPANY

8351 NW 93rd Street  
Medley, FL, 33166-2025  
ph: 1-800-432-9709  
fax: 305-887-9429  
www.usfoundry.com  
© 2017 All Rights Reserved

## USF 9511-S Tree Grate

LOAD CLASSIFICATION:	Light Duty	
MATERIAL:	Gray Cast Iron	ASTM A-48 Class 35B
ITEM:	BAAN #	DRAWING
TreeGrate		DATE
AccessGrate	8070215	6/20/2017
Assembly		DRAWN BY
		ULS/AB
REV	0	DATE
		REV BY
		QUOTE #

Customer Drawing