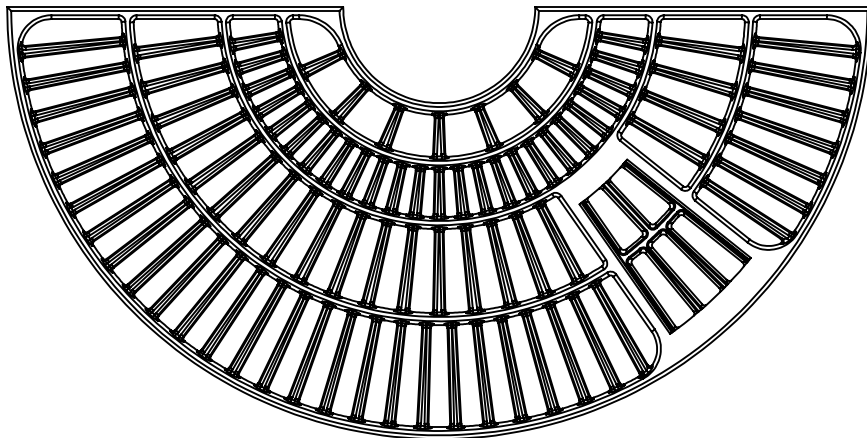
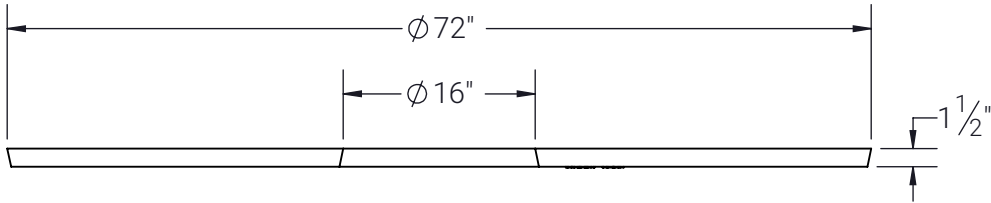
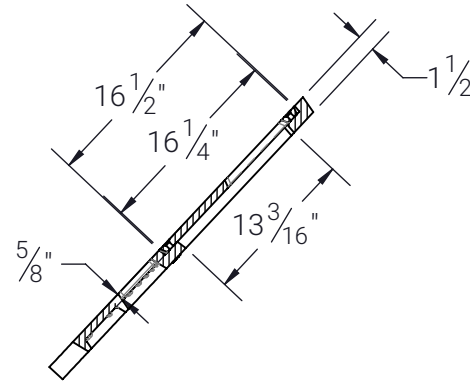
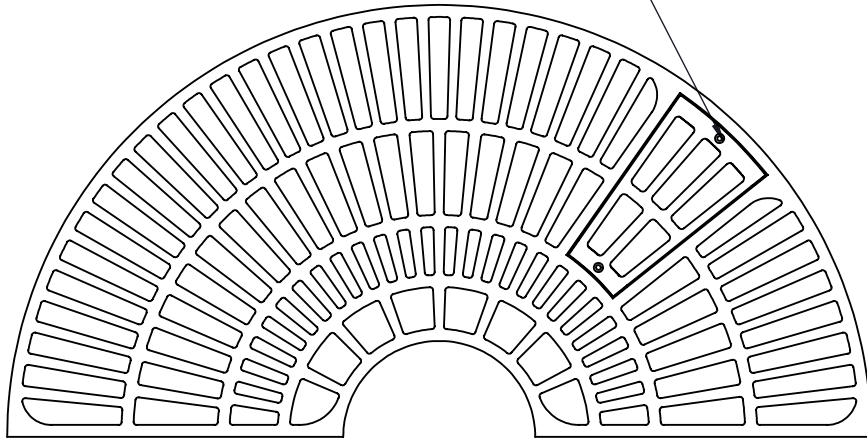


THE INFORMATION CONTAINED IN THIS DRAWING IS THE SOLE PROPERTY OF U.S. FOUNDRY & MANUFACTURING CORP. ANY REPRODUCTION IN PART OR AS A WHOLE WITHOUT THE WRITTEN PERMISSION OF U.S. FOUNDRY & MANUFACTURING CORP. IS PROHIBITED. U.S. FOUNDRY & MANUFACTURING CORP. RESERVES THE RIGHT TO MAKE MODIFICATIONS TO DESIGN WITHOUT PRIOR NOTICE. DRAWING IS UNCONTROLLED WHEN PRINTED. WEIGHTS AND DIMENSIONS ARE PROVIDED FOR REFERENCE ONLY © US FOUNDRY AN EAGLE MANUFACTURING COMPANY

(2) $\varnothing 5/16$ "-18 x 1"Lg
Fx Hd Bolts



8351 NW 93rd Street
Medley, FL, 33166-2025
ph: 1-800-432-9709
fax: 305-887-9429
www.usfoundry.com
AN EAGLE MANUFACTURING COMPANY © 2017 All Rights Reserved

USF 9503-S Tree Grate & 9557 Access Grate

LOAD CLASSIFICATION:		Light Duty	
MATERIAL:		Gray Cast Iron ASTM-A48 Class 35B	
ITEM:	BAAN #	DRAWING	
TreeGrate	8070609	DATE	12/11/2014
AccessGrate	8070206	DRAWN BY ULS	
Assembly	8070203		
REV	1	DATE	6/13/2017
		REV BY	AB
		QUOTE #	

Customer Drawing