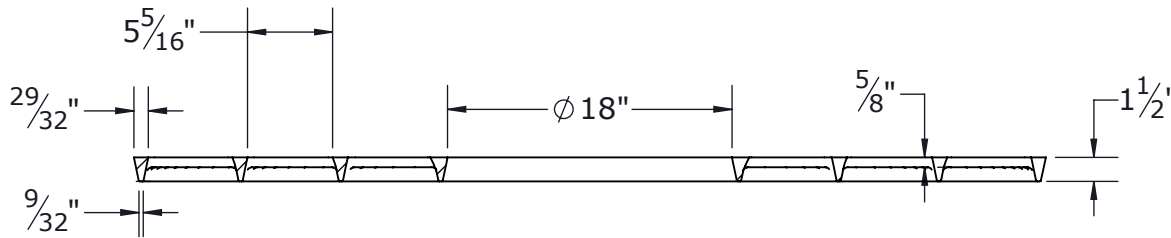
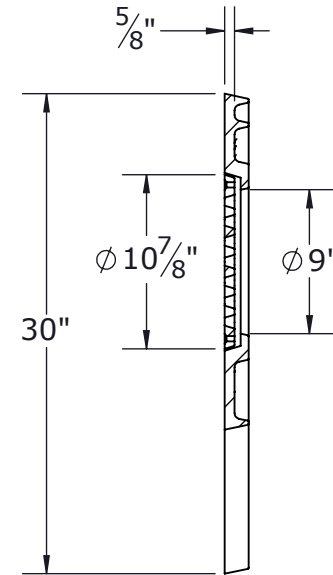
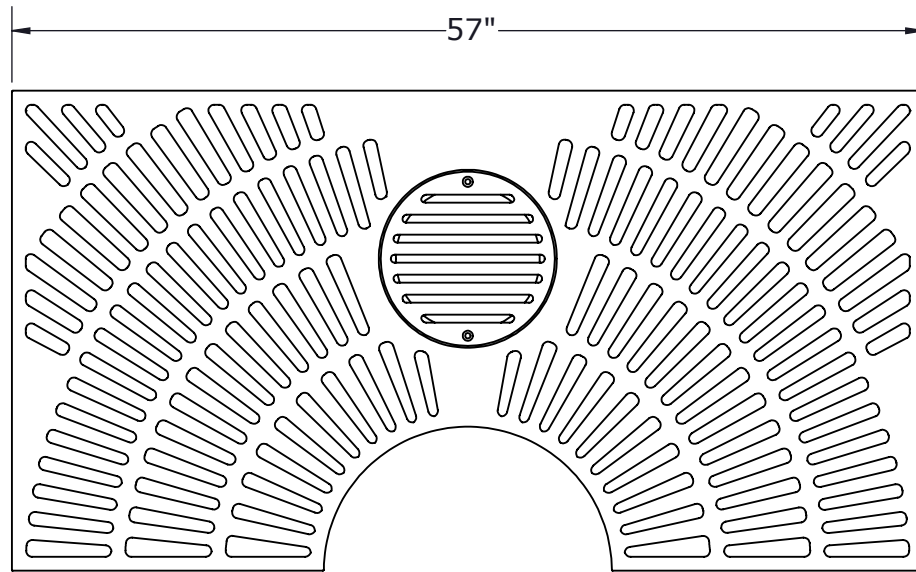


THE INFORMATION CONTAINED IN THIS DRAWING IS THE SOLE PROPERTY OF U.S. FOUNDRY & MANUFACTURING CORP. ANY REPRODUCTION IN PART OR AS A WHOLE WITHOUT THE WRITTEN PERMISSION OF U.S. FOUNDRY & MANUFACTURING CORP. IS PROHIBITED. U.S. FOUNDRY & MANUFACTURING CORP. RESERVES THE RIGHT TO MAKE MODIFICATIONS TO DESIGN WITHOUT PRIOR NOTICE. DRAWING IS UNCONTROLLED WHEN PRINTED. WEIGHTS AND DIMENSIONS ARE PROVIDED FOR REFERENCE ONLY © US FOUNDRY AN EAGLE MANUFACTURING COMPANY



8351 NW 93rd Street
 Medley, FL, 33166-2025
 ph: 1-800-432-9709
 fax: 305-887-9429
 www.usfoundry.com
 AN EAGLE MANUFACTURING COMPANY © 2017 All Rights Reserved

USF 9500-S Tree Grate & 9551 Access Grate

LOAD CLASSIFICATION: Light Duty		
MATERIAL: Gray Cast Iron ASTM-A48 Class 35B		
ITEM:	BAAN #	DRAWING
TreeGrate	8070199	DATE 1/22/2013
AccessGrate	8070200	DRAWN BY ULS
REV	DATE	REV BY
1	6/13/2017	AB
		QUOTE #

Customer Drawing