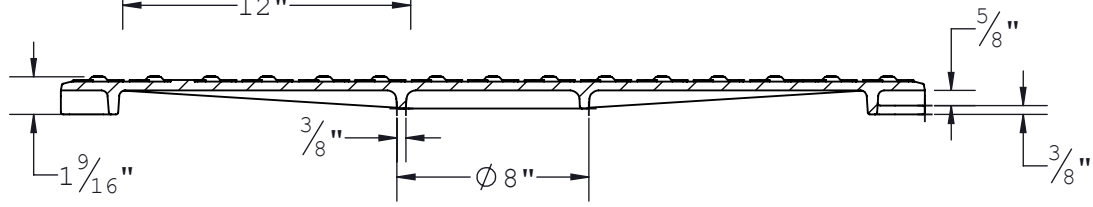
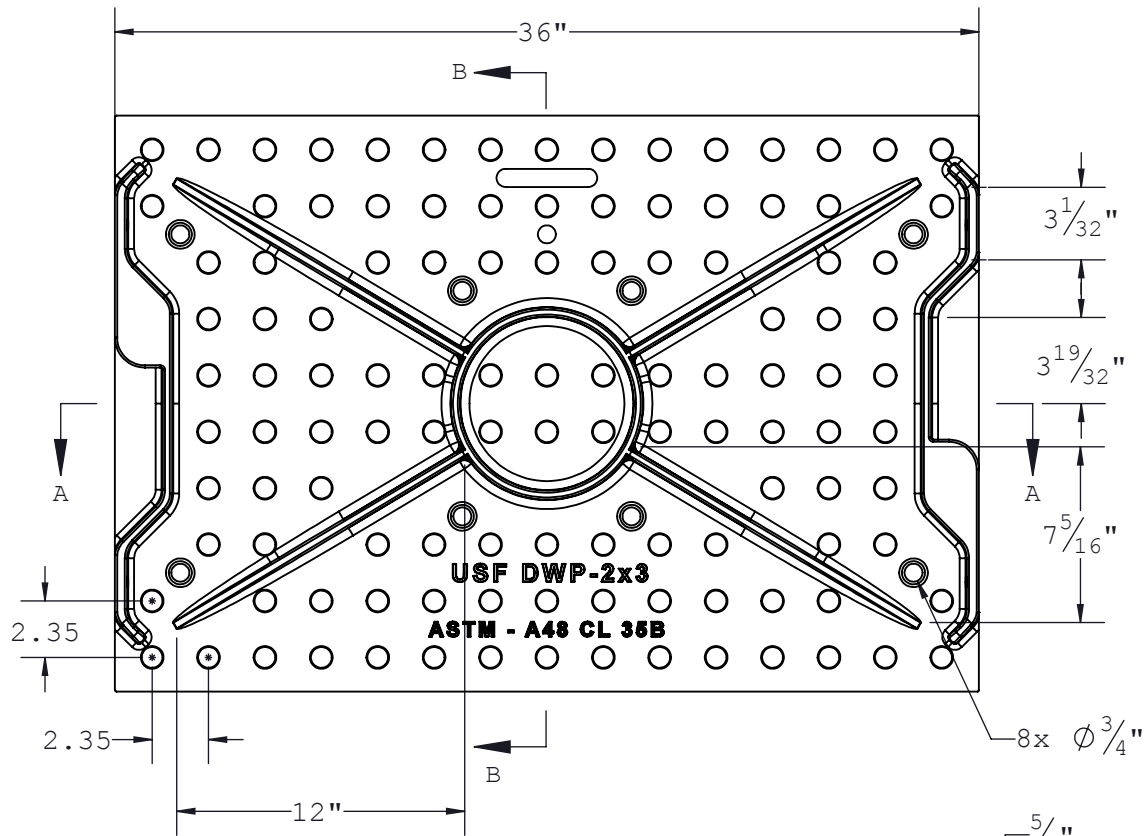
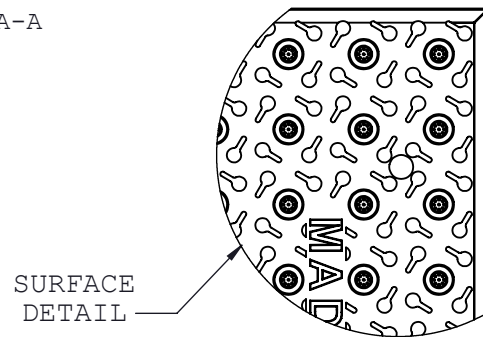
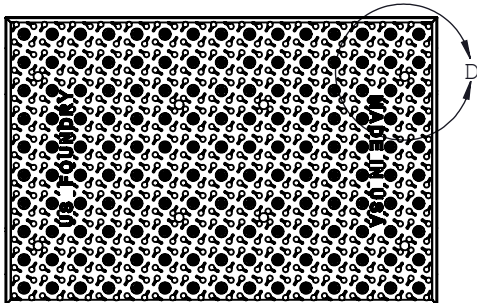


THE INFORMATION CONTAINED IN THIS DRAWING IS THE SOLE PROPERTY OF U.S. FOUNDRY & MANUFACTURING CORP. ANY REPRODUCTION IN PART OR AS A WHOLE WITHOUT THE WRITTEN PERMISSION OF U.S. FOUNDRY & MANUFACTURING CORP. IS PROHIBITED. U.S. FOUNDRY & MANUFACTURING CORP. RESERVES THE RIGHT TO MAKE MODIFICATIONS TO DESIGN WITHOUT PRIOR NOTICE. DRAWING IS UNCONTROLLED WHEN PRINTED. WEIGHTS AND DIMENSIONS ARE PROVIDED FOR REFERENCE ONLY © 2015 US FOUNDRY AN EAGLE MANUFACTURING COMPANY

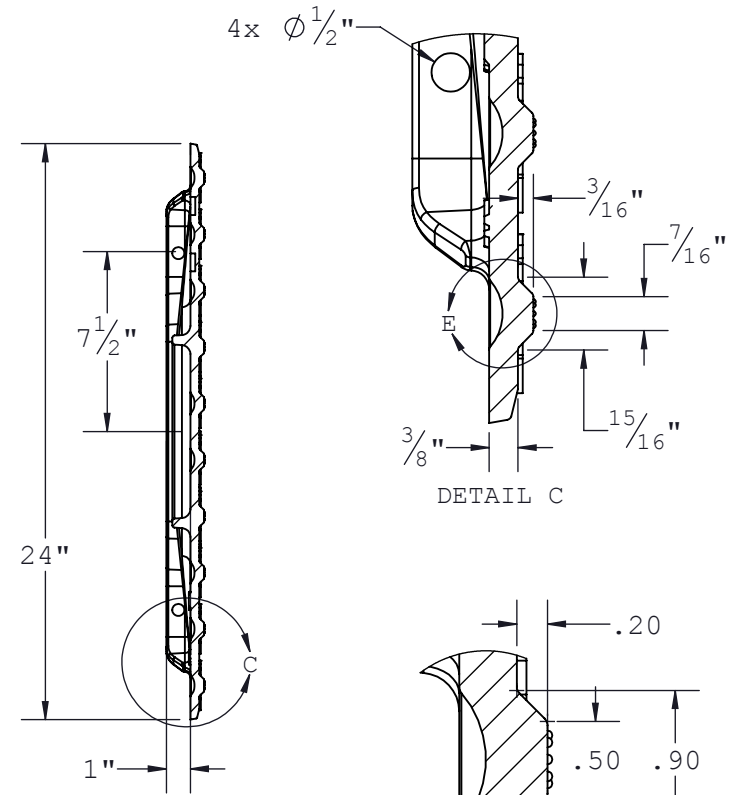


SECTION A-A



SURFACE
DETAIL

DETAIL D



8351 NW 93rd Street
Medley, FL, 33166-2025
ph: 1-800-432-9709
fax: 305-887-9429
www.usfoundry.com

USF DWP 2' x 3'

MATERIAL: Gray Cast Iron		ASTM-A48 Class 35B
ITEM: Detectable Plate	BAAN # 8120159	DRAWING DATE 12/3/2012
		DRAWN BY OD/AB
REV 1	DATE 5/5/2015	REV BY AB QUOTE # 3704, 4120

Customer Drawing