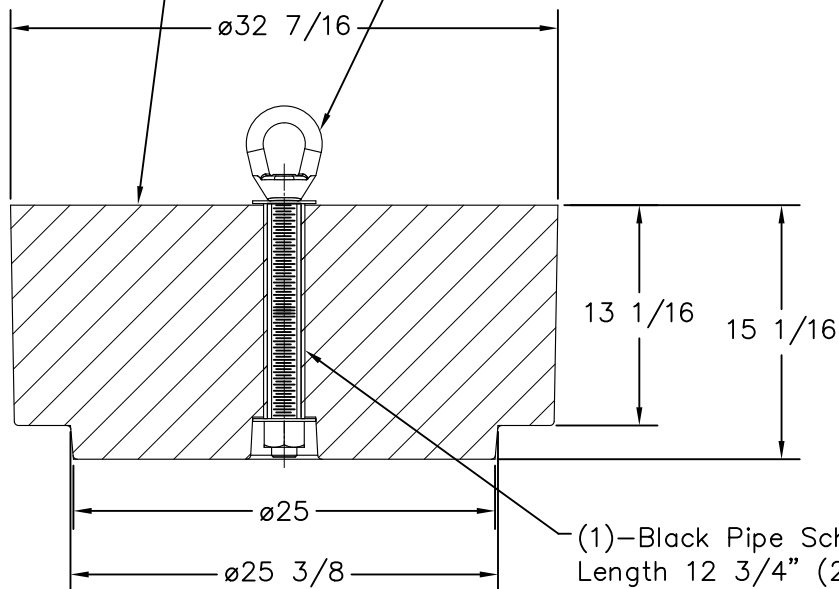


3000 Lbs Anchor Weight  
(8120050)

Kit 16.5" Anchor  
Set 3000 (8200095)



**NOTE:**

1- MATERIAL BAR & NUT GALVANIZE STEEL.  
MATERIAL: BLACK PIPE ø2"-80 SCHEDULE  
PIPE LENGTH: 12 5/8".  
2- TOTAL WEIGHT: 3025 LBS APP.

**US FOUNDRY**  
AN EAGLE MANUFACTURING COMPANY © 2013 All Rights Reserved

8351 NW 93rd Street  
Medley, FL, 33166-2025  
ph: 1-800-432-9709  
fax: 305-887-9429  
www.usfoundry.com

USF 3000 Lbs Anchor  
(Single Anchor Weight [8120050])

|   |                  |             |                 |
|---|------------------|-------------|-----------------|
| MATERIAL: ASTM-A48 GRAY IRON CLASS35B                           |                  |             |                 |
| Weight No.  | 8120051          | Wght: 3025  | SCALE: 1"=1"    |
|   |                  |             | DATE: 12/1/2009 |
|   |                  |             | OWN. BY: ULS/OD |
| UNLESS OTHERWISE NOTED WEIGHT IS IN POUNDS AND APPROXIMATED ±5% |                  |             |                 |
| REV: 3  | DATE: 11/30/2011 | REV BY: ULS | QUOTE#          |