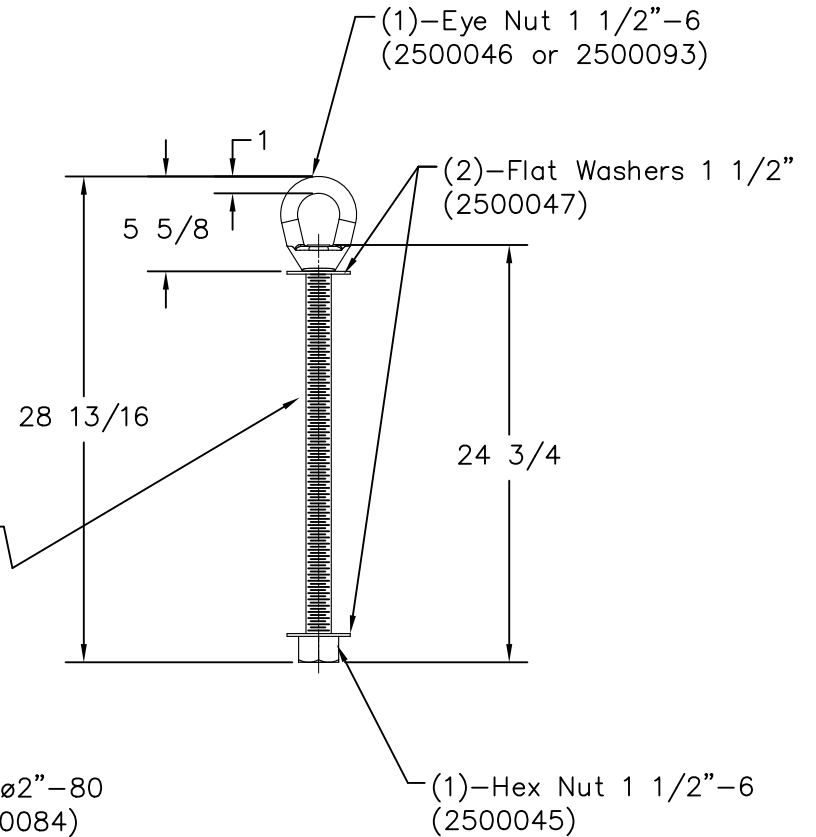
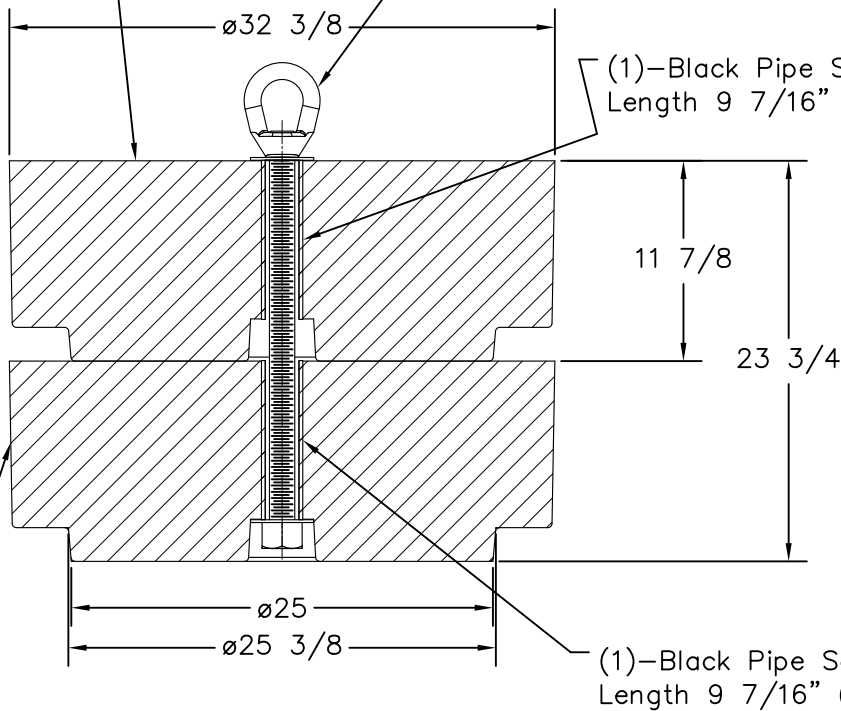


(1)-Threaded Rod
1 1/2"-6 x 24 3/4" Lg
(2500048)



2333 Lbs Anchor Weight
(8120035)

Kit 26" Anchor
Set of 2333 x 2 (8200047)



2333 Lbs
Anchor Weight
(8120035)

NOTE:
1- MATERIAL BAR & NUT GALVANIZE STEEL
2- TOTAL WEIGHT: 4685 LBS APP.

8351 NW 93rd Street
Medley, FL, 33166-2025
ph: 1-800-432-9709
fax: 305-887-9429
www.usfoundry.com
© 2013 All Rights Reserved

US FOUNDRY
AN EAGLE MANUFACTURING COMPANY

USF 4666 Lbs Anchor
(Single Weight No.[8120035] x2)

MATERIAL: ASTM-A48 GRAY IRON CLASS 35B		SCALE: 1"=1"
Ring No:	8120043	DATE: 12/15/2008
		OWN. BY: ULS
REV: 2	DATE: 5/17/2011	REV BY: ULS
QUOTE#		