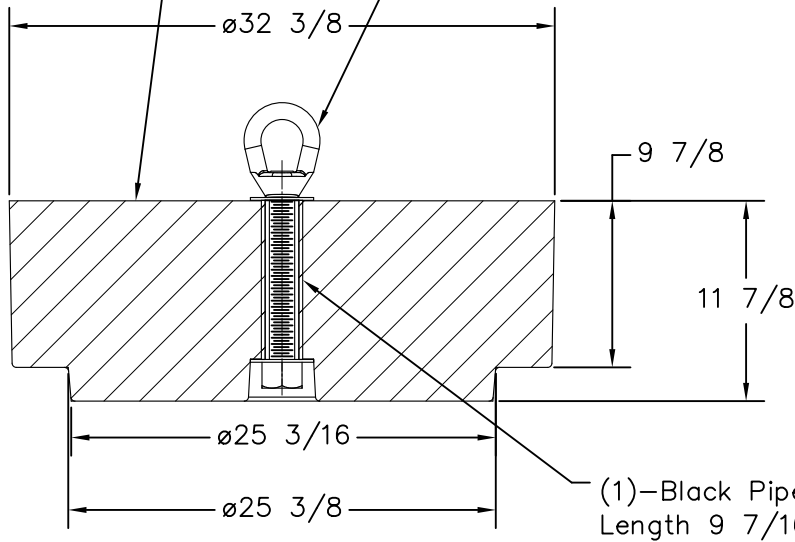


2333 Lbs Anchor Weight  
(8120035)

Kit 13.5" Anchor  
Set 2333 (8200045)



NOTE:

- 1- MATERIAL: BAR & NUT GALVANIZE STEEL.  
MATERIAL: BLACK PIPE ø2"-80 SCHEDULE PIPE  
LENGTH: 9 7/16".
- 2- TOTAL WEIGHT: 2343 LBS APP.

**US FOUNDRY**  
AN EAGLE MANUFACTURING COMPANY © 2013 All Rights Reserved

8351 NW 93rd Street  
Medley, FL, 33166-2025  
ph: 1-800-432-9709  
fax: 305-887-9429  
www.usfoundry.com

USF 2333 Lbs Anchor  
(Single Anchor Weight [8120035])

MATERIAL: ASTM-A48 GRAY IRON CLASS 35B			
Weight No.	8120041	Wght: 2343	SCALE: 1"=1"
			DATE: 12/15/2008
			OWN. BY: ULS
UNLESS OTHERWISE NOTED WEIGHT IS IN POUNDS AND APPROXIMATED ±5%			
REV: 2	DATE: 5/17/2011	REV BY: ULS	QUOTE#